

Approved by OMB

3060-0496

Edition Date: 12/2007

SUMMARY

Estimated Average Burden Hours Per Response: 139 hours

This document provides the Report Definition for FCC Report 43-08, the ARMIS Operating Data Report, and lists the company level statistical data which must be provided annually. It contains the following:

|  | <u>PAGE</u> |
|--|-------------|
| State Row Numbers and Codes - Reference Table .....                  | 3, 4        |
| Table I.A - Outside Plant Statistics - Cable & Wire Facilities ..... | 5, 6        |
| Table I.B - Outside Plant Statistics - Other .....                   | 6, 7        |
| Table II - Switched Access Lines In Service .....                    | 7, 8        |
| Table III - Access Lines In Service By Customer .....                | 8, 9        |
| Table IV - Telephone Calls.....                                      | 9           |
| Row Instructions and Column Descriptions .....                       | 10 - 27     |

To convert miles to kilometers, compute total miles, multiply by 1.6093, and then round to the nearest whole number. Internal calculations should retain, where applicable, at least 4 decimal places of accuracy; compute totals and then round to the nearest whole number before applying weighting factors. Round final results (in kilometers) to the nearest whole number, but report any non-zero entry that is less than 1 kilometer as 1 kilometer. Round the number of equivalent telephone poles to the nearest whole number. Round telephone calls and minutes to the nearest thousand, but report any non-zero entry that is less than 1 (thousand) as 1 (thousand). Report the number of access lines in whole numbers. Report all other amounts in actual units.

Items which need not be reported because they do not apply are designated by N/A. Items that are not being reported because the carrier has a waiver or has applied for a waiver are designated by I/T. All other fields must be populated. If there are no data applicable to a given field, enter zero.

When errata occur, carriers must include in the transmittal letter a brief statement indicating the reason for the errata. Other explanatory notes must be included in the footnote section of the filing.

NOTICE: The ARMIS Operating Data Report collects annual statistical data in a consistent format and is essential for the FCC to monitor network growth, usage, and reliability. Your response is mandatory.

Public reporting burden for this collection of information is estimated to average 139 hours per response, including the time for reviewing instructions, searching existing data sources, gathering and maintaining the data needed, and completing and reviewing the collection of information. Send comments regarding this burden estimate or any other aspect of this collection of information, including suggestions for reducing the burden, to the Federal Communications Commission, Office of Managing Director, Washington, DC 20554.

An agency may not conduct or sponsor and a person is not required to respond to a collection of information unless it displays a currently valid control number.

STATE ROW NUMBERS AND CODES  
REFERENCE TABLE

| <u>State or Territory</u> | <u>Row Number</u> | <u>Code</u> |
|---------------------------|-------------------|-------------|
| Alabama                   | 0110              | AL          |
| Alaska                    | 0120              | AK          |
| Arizona                   | 0130              | AZ          |
| Arkansas                  | 0140              | AR          |
| California                | 0150              | CA          |
| Colorado                  | 0160              | CO          |
| Connecticut               | 0170              | CT          |
| Delaware                  | 0180              | DE          |
| District of Columbia      | 0190              | DC          |
| Florida                   | 0200              | FL          |
| Georgia                   | 0210              | GA          |
| Hawaii                    | 0220              | HI          |
| Idaho                     | 0230              | ID          |
| Illinois                  | 0240              | IL          |
| Indiana                   | 0250              | IN          |
| Iowa                      | 0260              | IA          |
| Kansas                    | 0270              | KS          |
| Kentucky                  | 0280              | KY          |
| Louisiana                 | 0290              | LA          |
| Maine                     | 0300              | ME          |
| Maryland                  | 0310              | MD          |
| Massachusetts             | 0320              | MA          |
| Michigan                  | 0330              | MI          |
| Minnesota                 | 0340              | MN          |
| Mississippi               | 0350              | MS          |
| Missouri                  | 0360              | MO          |
| Montana                   | 0370              | MT          |
| Nebraska                  | 0380              | NE          |
| Nevada                    | 0390              | NV          |
| New Hampshire             | 0400              | NH          |
| New Jersey                | 0410              | NJ          |
| New Mexico                | 0420              | NM          |
| New York                  | 0430              | NY          |
| North Carolina            | 0440              | NC          |
| North Dakota              | 0450              | ND          |
| Ohio                      | 0460              | OH          |
| Oklahoma                  | 0470              | OK          |
| Oregon                    | 0480              | OR          |
| Pennsylvania              | 0490              | PA          |

| <u>State or Territory</u> | <u>Row Number</u> | <u>Code</u> |
|---------------------------|-------------------|-------------|
| Rhode Island              | 0500              | RI          |
| South Carolina            | 0510              | SC          |
| South Dakota              | 0520              | SD          |
| Tennessee                 | 0530              | TN          |
| Texas                     | 0540              | TX          |
| Utah                      | 0550              | UT          |
| Vermont                   | 0560              | VT          |
| Virginia                  | 0570              | VA          |
| Washington                | 0580              | WA          |
| West Virginia             | 0590              | WV          |
| Wisconsin                 | 0600              | WI          |
| Wyoming                   | 0610              | WY          |
| <br>                      |                   |             |
| Northern Mariana Islands  | 0730              | MC          |
| Puerto Rico               | 0710              | PR          |
| Virgin Islands            | 0720              | VI          |
| <br>                      |                   |             |
| Ocean Cable               | 0810              | OC          |
| <br>                      |                   |             |
| Total                     | 0910              | TO          |

FCC Report 43-08  
 ARMIS OPERATING DATA REPORT

COMPANY: XXXXXXXXXXXXXXXX  
 STUDY AREA: XXXXXXXXXXXXXXXX  
 PERIOD: From mmm yyyy To mmm yyyy  
 COSA: XXXX

XXXX Version  
 Submission XXX  
 TABLE I.A  
 PAGE 1 of 3

**TABLE I.A – OUTSIDE PLANT STATISTICS—CABLE AND WIRE FACILITIES**

| ROW NO. | STATE OR TERR. (a) | Code (b) | Km of Aerial Wire (c) | Aerial Cable              |                        | Underground Cable         |                        | Buried Cable              |                        |
|---------|--------------------|----------|-----------------------|---------------------------|------------------------|---------------------------|------------------------|---------------------------|------------------------|
|         |                    |          |                       | Sheath Km of Metallic (d) | Sheath Km of Fiber (e) | Sheath Km of Metallic (f) | Sheath Km of Fiber (g) | Sheath Km of Metallic (h) | Sheath Km of Fiber (i) |

**EXAMPLE:**

|      |          |    |  |  |  |  |  |  |  |
|------|----------|----|--|--|--|--|--|--|--|
| 0240 | Illinois | IL |  |  |  |  |  |  |  |
| 0910 | Total    | TO |  |  |  |  |  |  |  |

(See State Row Numbers and Codes Reference Table for the row numbers and the state codes applicable to your filing and for the correct order in which the rows shall appear.)

\* \* \* \* \*

FCC Report 43-08  
 ARMIS OPERATING DATA REPORT

COMPANY: XXXXXXXXXXXXXXXX  
 STUDY AREA: XXXXXXXXXXXXXXXX  
 PERIOD: From mmm yyyy To mmm yyyy  
 COSA: XXXX

XXXX Version  
 Submission XXX  
 TABLE I.A  
 PAGE 2 of 3

**TABLE I.A – OUTSIDE PLANT STATISTICS—CABLE AND WIRE FACILITIES**

| ROW NO. | STATE OR TERR. (a) | Code (b) | Intrabldg Network Cable   |                        | Total Cable               |                        | Km of Fiber in Cable        |  |
|---------|--------------------|----------|---------------------------|------------------------|---------------------------|------------------------|-----------------------------|--|
|         |                    |          | Sheath Km of Metallic (n) | Sheath Km of Fiber (o) | Sheath Km of Metallic (p) | Sheath Km of Fiber (q) | Fiber Km Equipped (Lit) (r) | Total Fiber Km Deployed (Lit & Dark) (s) |

**EXAMPLE:**

|      |          |    |  |  |  |  |  |  |
|------|----------|----|--|--|--|--|--|--|
| 0240 | Illinois | IL |  |  |  |  |  |  |
| 0910 | Total    | TO |  |  |  |  |  |  |

(See State Row Numbers and Codes Reference Table for the row numbers and the state codes applicable to your filing and for the correct order in which the rows shall appear.)

FCC Report 43-08  
 ARMIS OPERATING DATA REPORT

COMPANY: XXXXXXXXXXXXXXXX  
 STUDY AREA: XXXXXXXXXXXXXXXX  
 PERIOD: From mmm yyyy To mmm yyyy  
 COSA: XXXX

XXXX Version  
 Submission XXX  
 TABLE I.A  
 PAGE 3 of 3

**TABLE I.A – OUTSIDE PLANT STATISTICS—CABLE AND WIRE FACILITIES**

| ROW NO. | STATE OR TERR. (a) | Code (b) | Km of Metallic Wire in Cable (t) | Equipped Km of Tube in Coax Cable (u) | Equivalent Number of Poles (v) | Conduit System |             |
|---------|--------------------|----------|----------------------------------|---------------------------------------|--------------------------------|----------------|-------------|
|         |                    |          |                                  |                                       |                                | Trench Km (w)  | Duct Km (x) |

**EXAMPLE:**

|      |          |    |  |  |  |  |  |
|------|----------|----|--|--|--|--|--|
| 0240 | Illinois | IL |  |  |  |  |  |
| 0910 | Total    | TO |  |  |  |  |  |

(See State Row Numbers and Codes Reference Table for the row numbers and the state codes applicable to your filing and for the correct order in which the rows shall appear.)

\* \* \* \* \*

FCC Report 43-08  
 ARMIS OPERATING DATA REPORT

COMPANY: XXXXXXXXXXXXXXXX  
 STUDY AREA: XXXXXXXXXXXXXXXX  
 PERIOD: From mmm yyyy To mmm yyyy  
 COSA: XXXX

XXXX Version  
 Submission XXX  
 TABLE I.B  
 PAGE 1 of 2

**TABLE I.B - OUTSIDE PLANT STATISTICS—OTHER**

| ROW NO. | STATE OR TERR. (ba) | Code (bb) | Radio Relay System            |  |                                   |                                      |
|---------|---------------------|-----------|-------------------------------|--|-----------------------------------|--------------------------------------|
|         |                     |           | Km of Terrestrial System (bc) | Km of One-Way Terrestrial Radio Channel (bd) | Km of Telephone Channel           |                                      |
|         |                     |           |                               |  | Analog (4 kHz or Equivalent) (bf) | Digital (64 kbps or Equivalent) (bg) |

**EXAMPLE:**

|      |          |    |  |  |  |  |
|------|----------|----|--|--|--|--|
| 0240 | Illinois | IL |  |  |  |  |
| 0910 | Total    | TO |  |  |  |  |

(See State Row Numbers and Codes Reference Table for the row numbers and the state codes applicable to your filing and for the correct order in which the rows shall appear.)

FCC Report 43-08  
 ARMIS OPERATING DATA REPORT

COMPANY: XXXXXXXXXXXXXXXX  
 STUDY AREA: XXXXXXXXXXXXXXXX  
 PERIOD: From mmm yyyy To mmm yyyy  
 COSA: XXXX

XXXX Version  
 Submission XXX  
 TABLE I.B  
 PAGE 2 of 2

**TABLE I.B - OUTSIDE PLANT STATISTICS—OTHER**

| ROW NO. | STATE OR TERR. (ba) | Code (bb) | Total Equipped Local Loop Circuit Km |                                      | Total Equipped Interoffice Circuit Km (Cable & Microwave Systems) |                                      |
|---------|---------------------|-----------|--------------------------------------|--------------------------------------|---|--------------------------------------|
|         |                     |           | Analog (4 kHz or Equivalent) (bh)    | Digital (64 kbps or Equivalent) (bi) | Analog (4 kHz or Equivalent) (bk)                                 | Digital (64 kbps or Equivalent) (bl) |

**EXAMPLE:**

|      |          |    |  |  |  |  |
|------|----------|----|--|--|--|--|
| 0240 | Illinois | IL |  |  |  |  |
| 0910 | Total    | TO |  |  |  |  |

(See State Row Numbers and Codes Reference Table for the row numbers and the state codes applicable to your filing and for the correct order in which the rows shall appear.)

\* \* \* \* \*

FCC Report 43-08  
 ARMIS OPERATING DATA REPORT

COMPANY: XXXXXXXXXXXXXXXX  
 STUDY AREA: XXXXXXXXXXXXXXXX  
 PERIOD: From mmm yyyy To mmm yyyy  
 COSA: XXXX

XXXX Version  
 Submission XXX  
 TABLE II  
 PAGE 1 of 2

**TABLE II – SWITCHED ACCESS LINES IN SERVICE**

| ROW NO. | STATE OR TERR. (ca) | Code (cb) | Main Access Lines (cc) | PBX and Centrex Trunks (cd) | Centrex Extensions (ce) | Other Switched Access Lines (ci) | Total Switched Access Lines (cj) |
|---------|---------------------|-----------|------------------------|-----------------------------|-------------------------|----------------------------------|----------------------------------|
|---------|---------------------|-----------|------------------------|-----------------------------|-------------------------|----------------------------------|----------------------------------|

**EXAMPLE:**

|      |          |    |  |  |  |  |  |
|------|----------|----|--|--|--|--|--|
| 0240 | Illinois | IL |  |  |  |  |  |
| 0910 | Total    | TO |  |  |  |  |  |

(See State Row Numbers and Codes Reference Table for the row numbers and the state codes applicable to your filing and for the correct order in which the rows shall appear.)

FCC Report 43-08  
 ARMIS OPERATING DATA REPORT

COMPANY: XXXXXXXXXXXXXXXX  
 STUDY AREA: XXXXXXXXXXXXXXXX  
 PERIOD: From mmm yyyy To mmm yyyy  
 COSA: XXXX

XXXX Version  
 Submission XXX  
 TABLE II  
 PAGE 2 of 2

**TABLE II – SWITCHED ACCESS LINES IN SERVICE**

| ROW NO. | STATE OR TERR. (ca) | Code (cb) | Central Office Switches Excluding Remote Switches (ck) | Remote Switches (cl) | Total Central Office Switches (cm) | Basic Rate ISDN Control Channels (cn) | Primary Rate ISDN Control Channels (co) |
|---------|---------------------|-----------|--|----------------------|------------------------------------|---------------------------------------|---|
|---------|---------------------|-----------|--|----------------------|------------------------------------|---------------------------------------|---|

**EXAMPLE:**

|      |          |    |  |  |  |  |  |
|------|----------|----|--|--|--|--|--|
| 0240 | Illinois | IL |  |  |  |  |  |
| 0910 | Total    | TO |  |  |  |  |  |

(See State Row Numbers and Codes Reference Table for the row numbers and the state codes applicable to your filing and for the correct order in which the rows shall appear.)

\* \* \* \* \*

FCC Report 43-08  
 ARMIS OPERATING DATA REPORT

COMPANY: XXXXXXXXXXXXXXXX  
 STUDY AREA: XXXXXXXXXXXXXXXX  
 PERIOD: From mmm yyyy To mmm yyyy  
 COSA: XXXX

XXXX Version  
 Submission XXX  
 TABLE III  
 PAGE 1 of 2

**TABLE III - ACCESS LINES IN SERVICE BY CUSTOMER**

| ROW NO. | STATE OR TERR. (fa) | Code (fb) | Business Switched Access Lines |                                |                     | Residential Switched Access Lines |              |                  | Total Switched Access Lines (fi) |
|---------|---------------------|-----------|--------------------------------|--------------------------------|---------------------|-----------------------------------|--------------|------------------|----------------------------------|
|         |                     |           | Single Line (fc)               | Multiline                      |                     | Lifeline (ff)                     | Non-Lifeline |                  |                                  |
|         |                     |           |                                | Other than Payphone Lines (fd) | Payphone Lines (fe) |                                   | Primary (fg) | Non-Primary (fh) |                                  |

**EXAMPLE:**

|      |          |    |  |  |  |  |  |  |  |
|------|----------|----|--|--|--|--|--|--|--|
| 0240 | Illinois | IL |  |  |  |  |  |  |  |
| 0910 | Total    | TO |  |  |  |  |  |  |  |

(See State Row Numbers and Codes Reference Table for the row numbers and the state codes applicable to your filing and for the correct order in which the rows shall appear.)



FCC Report 43-08  
 ARMIS OPERATING DATA REPORT

COMPANY: XXXXXXXXXXXXXXXX  
 STUDY AREA: XXXXXXXXXXXXXXXX  
 PERIOD: From mmm yyyy To mmm yyyy  
 COSA: XXXX

XXXX Version  
 Submission XXX  
 TABLE III  
 PAGE 2 of 2

**TABLE III - ACCESS LINES IN SERVICE BY CUSTOMER**

| ROW NO. | STATE OR TERR. (fa) | Code (fb) | Special Access Lines (Non-Switched) |                                      | Total Access Lines (Switched & Special) (fl) | Local Private Lines (fm) |
|---------|---------------------|-----------|-------------------------------------|--------------------------------------|--|--------------------------|
|         |                     |           | Analog (4 kHz or Equivalent) (fj)   | Digital (64 kbps or Equivalent) (fk) |  |                          |

**EXAMPLE:**

|      |          |    |  |  |  |  |
|------|----------|----|--|--|--|--|
| 0240 | Illinois | IL |  |  |  |  |
| 0910 | Total    | TO |  |  |  |  |

(See State Row Numbers and Codes Reference Table for the row numbers and the state codes applicable to your filing and for the correct order in which the rows shall appear.)

\* \* \* \* \*

FCC Report 43-08  
 ARMIS OPERATING DATA REPORT

COMPANY: XXXXXXXXXXXXXXXX  
 STUDY AREA: XXXXXXXXXXXXXXXX  
 PERIOD: From mmm yyyy To mmm yyyy  
 COSA: XXXX

XXXX Version  
 Submission XXX  
 TABLE IV  
 PAGE 1 of 1

**TABLE IV – TELEPHONE CALLS  
 (Amounts in Thousands)**

| ROW NO. | STATE OR TERR. (ea) | Code (eb) | Local Calls (ec) | IntraLATA Toll Calls Completed (Originating) (ed) | InterLATA Toll Calls Completed (Originating) |                 |            | InterLATA Billed Access Minutes (Originating & Terminating) |                 |            |
|---------|---------------------|-----------|------------------|---|--|-----------------|------------|---|-----------------|------------|
|         |                     |           |                  |   | Interstate (ee)                              | Intrastate (ef) | Total (eg) | Interstate (eh)   | Intrastate (ei) | Total (ej) |

**EXAMPLE:**

|      |          |    |  |  |  |  |  |  |  |  |  |
|------|----------|----|--|--|--|--|--|--|--|--|--|
| 0240 | Illinois | IL |  |  |  |  |  |  |  |  |  |
| 0910 | Total    | TO |  |  |  |  |  |  |  |  |  |

(See State Row Numbers and Codes Reference Table for the row numbers and the state codes applicable to your filing and for the correct order in which the rows shall appear.)

## TABLE I.A - OUTSIDE PLANT STATISTICS - CABLE AND WIRE FACILITIES

## GENERAL INSTRUCTIONS

Table I.A requires the annual reporting of various cable and wire facility statistics by state as of December 31 of the calendar year covered by the report. Report all solely owned plant and the respondent's proportionate interest in jointly owned plant.

To convert miles to kilometers, compute total miles, multiply by 1.6093 and then round to the nearest whole number. Internal calculations should retain, where applicable, at least 4 decimal places of accuracy; compute totals and then round to the nearest whole number before applying weighting factors. Round final results to the nearest whole number, but report any non-zero entry that is less than 1 kilometer as 1 kilometer.

**Include footnotes in the Footnote Table liberally, especially where the reporting company perceives any ambiguities in the data provided, where procedures or internal sources associated with data preparation have changed (including data filed in compliance with revised definitions), or where required data are available only in part or on an estimated basis.**

## ROW INSTRUCTIONS

Each row represents a state, district or territory in which the reporting company has cable and wire facilities. Include only those rows with data to be reported, but complete every item in those rows. Include a row for total company data, even if there is only one state row. See the State Row Numbers and Codes Reference Table for assigned row numbers and codes and for the correct order in which the rows shall appear.

## COLUMN DESCRIPTIONS

Each column represents a category of cable and wire facilities. In columns (d) through (q) classify a cable containing only copper, coaxial, or other metallic conductors as metallic, but classify a cable containing both fiber and copper, coaxial, or other metallic conductors as fiber. In all columns include both local loop and interoffice facilities where applicable.

COLUMN

- (a) State or Territory - The name of one of the fifty U.S. states or one of the following: District of Columbia, Northern Mariana Islands, Puerto Rico, Virgin Islands, Ocean Cable, or Total.
- (b) State or Territory Code - The two-letter Postal Abbreviation for the state or territory. Use "MC" for Northern Mariana Islands, "OC" for Ocean Cable and "TO" for Total Company.

- (c) Kilometers of Aerial Wire - Bare line wire and rural and urban distribution wire included in the Aerial Wire account (Account 2431), pursuant to FCC R.A.O. Letter 6. Where applicable, multiply the distance by 2 to account for wire pairs. Include both local loop and interoffice facilities.

Aerial Cable - Cables in the Aerial Cable account (Account 2421). These cables are attached to utility poles. The cables in this environment can have metallic conductors or non-metallic fibers. Include both local loop and interoffice facilities.

- (d) Sheath Kilometers of Metallic Aerial Cable - Sheath kilometers of aerial cable with copper or other metallic conductors.
- (e) Sheath Kilometers of Fiber Aerial Cable - Sheath kilometers of aerial cable with non-metallic fibers.

Underground Cable - Cables in the Underground Cable account (Account 2422). These cables are located in conduit and manholes. The cables in this environment can have metallic conductors or non-metallic optical fibers. Include both local loop and interoffice facilities.

- (f) Sheath Kilometers of Metallic Underground Cable - Sheath kilometers of underground cable containing copper or other metallic conductors.
- (g) Sheath Kilometers of Fiber Underground Cable - Sheath kilometers of underground cable containing non-metallic fibers.

Buried Cable - Cables in the Buried Cable account (Account 2423). These cables are buried directly below the ground and not placed in conduit structure. The cables in this environment can have metallic conductors or non-metallic optical fibers. Include both local loop and interoffice facilities.

- (h) Sheath Kilometers of Metallic Buried Cable - Sheath kilometers of buried cable with copper or other metallic conductors.
- (i) Sheath Kilometers of Fiber Buried Cable - Sheath kilometers of buried cable with non-metallic fibers.

Intrabuilding Network Cable - Cables in the Intrabuilding Network Cable account (Account 2426). These cables are located on the carrier's side of the demarcation point or standard network interface inside subscribers' buildings or between buildings on one customer's same premises. Include both local loop and interoffice facilities.

- (n) Sheath Kilometers of Metallic Intrabuilding Network Cable - Sheath kilometers of intrabuilding network cable with copper or other metallic conductors.
- (o) Sheath Kilometers of Fiber Intrabuilding Network Cable - Sheath kilometers of intrabuilding network cable with non-metallic fibers.

Total Cable - All cables, including wire, coaxial cables, and fiber. Include both local loop and interoffice facilities.

- (p) Sheath Kilometers of Total Metallic Cable - Sheath kilometers of total cable with copper or other metallic conductors. This is the sum of columns (d), (f), (h), and (n).
- (q) Sheath Kilometers of Total Fiber Cable - Sheath kilometers of total cable with non-metallic fibers. This is the sum of columns (e), (g), (i), and (o).

Kilometers of Fiber in Cable - Fiber optic cables contain thin filaments of glass or other transparent material enclosed in a protective sheath through which light beams may be transmitted. Include both local loop and interoffice facilities.

- (r) Fiber Kilometers Equipped with Electronics (Lit) - The number of kilometers of fiber that are equipped by the reporting company with electronics and ready for analog or digital transmission use (not total sheath kilometers).
- (s) Total Fiber Kilometers Deployed (Lit and Dark) - Total deployed fiber measurement calculated as the sum of the products of the numbers of optical fibers in the sheath for each cable times the associated sheath kilometers. Provide the total deployed fiber kilometers, not just the portion in service or equipped with carrier equipment.
- (t) Kilometers of Metallic Wire in Cable - The sum of the products of the numbers of copper or other metallic wires (pairs multiplied by 2) in each cable times the associated sheath kilometers. The wires must be capable of supporting telecommunications traffic (i.e., not defective). Do not include in this column any kilometers of tube in coaxial cable, which are reported instead in column (u). Include both local loop and interoffice facilities.
- (u) Equipped Kilometers of Tube in Coaxial Cable - The sum of the products of the numbers of tubes equipped with electronics in each cable times the associated coaxial sheath kilometers. Provide only the number of tube kilometers of coaxial equipped with electronics, not total sheath kilometers. Include both local loop and interoffice facilities.
- (v) Equivalent Number of Poles - The number of solely owned poles plus the sum of the products of the numbers of jointly owned poles times their ownership percentages. Where the ownership percentage is unknown, assume 50%. Do not include leased poles. Include poles used to support both local loop and interoffice facilities. Round to the nearest whole number.

Example:

| <u>No. of Poles</u> | <u>% Ownership</u> | <u>Equivalent<br/>No. of Poles</u> |
|---------------------|--------------------|------------------------------------|
| 4                   | 10%                | 0.4                                |
| 8                   | 30%                | 2.4                                |
| 20                  | 50%                | <u>10.0</u>                        |
|                     |                    | 12.8 (rounded to 13)               |

Conduit System - Pipes in the Conduit Systems account (Account 2441). This includes conduit, whether underground, in tunnels or on bridges (which is reusable in place), through which cables are pulled. Include both local loop and interoffice facilities.

- (w) Trench Kilometers - Total length of the trenches that contain the ducts.
- (x) Duct Kilometers - The number of ducts times the trench kilometers.

## TABLE I.B - OUTSIDE PLANT STATISTICS - OTHER

## GENERAL INSTRUCTIONS

Table I.B requires the annual reporting of various outside plant statistics by state as of December 31 of the calendar year covered by the report. Report all solely owned plant and the respondent's proportionate interest in jointly owned plant.

To convert miles to kilometers, compute total miles, multiply by 1.6093 and then round to the nearest whole number. Internal calculations should retain, where applicable, at least 4 decimal places of accuracy; compute totals and then round to the nearest whole number before applying weighting factors. Round final results to the nearest whole number, but report any non-zero entry that is less than 1 kilometer as 1 kilometer.

**Include footnotes in the Footnote Table liberally, especially where the reporting company perceives any ambiguities in the data provided, where procedures or internal sources associated with data preparation have changed (including data filed in compliance with revised definitions), or where required data are available only in part or on an estimated basis.**

## DEFINITIONS

Analog Baseband – Refers to the original band of frequencies produced by an analog signal-initiating device, such as a telephone transmitter (microphone).

Digital Baseband – Refers to the originally transmitted data signal produced by a digital signal-initiating device, such as a telegraph key.

## ROW INSTRUCTIONS

Each row represents a state, district or territory in which the reporting company has outside plant facilities. Include only those rows with data to be reported, but complete every item in those rows. Include a row for total company data, even if there is only one state row. See the State Row Numbers and Codes Reference Table for assigned row numbers and codes and for the correct order in which the rows shall appear.

## COLUMN DESCRIPTIONS

Each column represents a category of cable and wire facilities. In columns (bc) through (bg) include local loop and interoffice radio facilities where applicable. In columns (bh) and (bi) include local loop facilities. In columns (bk) and (bl) include interoffice cable and microwave facilities.

COLUMN

- (ba) State or Territory - The name of one of the fifty U.S. states or one of the following: District of Columbia, Northern Mariana Islands, Puerto Rico, Virgin Islands, Ocean Cable, or Total.
- (bb) State or Territory Code - The two-letter Postal Abbreviation for the state or territory. Use "MC" for Northern Mariana Islands, "OC" for Ocean Cable and "TO" for Total Company.

Radio Relay System - Equipment that is used to transmit and receive radio waves (above 890 MHz) through space over which communications channels are provided. In columns (bc) through (bg) report the aggregate number of kilometers of system or channel, as appropriate, between the individual stations or radio-relay systems. Include both local loop and interoffice facilities where applicable. If your radio repeater or terminal location interfaces with a radio facility in another company, only include the distance from your facility to the border of your company. If two of your interconnected radio repeaters or terminal locations form a radio path that crosses the territory of another company, include the entire distance between the facilities.

- (bc) Kilometers of Terrestrial System - Total absolute distance between repeater sites making up microwave radio systems above 890 MHz. Do not include satellite systems in this total.

Kilometers of One-Way Radio Channel - Total kilometers of one-way radio channel above 890 MHz used for message, special services, video, or protection. A radio channel consists of a single one-way link using a microwave transmitter and receiver. The radio channel distance is the sum of the lengths of each one-way link associated with a transmitter-receiver pair. Where applicable, multiply the distance by 2 to account for two-way transmission.

- (bd) Kilometers of One-Way Terrestrial Radio Channel - Total km of one-way radio channel above 890 MHz used in terrestrial radio systems.

Kilometers of Telephone Channel - Number of equivalent analog or digital telephone circuit kilometers that are equipped and on radio systems above 890 MHz.

- (bf) Kilometers of Analog Telephone Channel (4 kHz or Equivalent) - Number of 4 kHz or equivalent analog telephone circuit kilometers that are equipped and on radio systems above 890 MHz. This value is the sum of the products of the number of equivalent analog circuits on each link times the length of the link.
- (bg) Kilometers of Digital Telephone Channel (64 kbps or Equivalent) - Number of 64 kbps or equivalent digital telephone circuit kilometers that are equipped and on radio systems above 890 MHz. This value is the sum of the products of the number of equivalent digital circuits on each link times the length of the link. In the case of radio systems carrying DS-1 channels for which DS-1 utilization is not known, calculate the sum of the products of

the number of DS-1's on each link times the length of the link, round the result to the nearest whole kilometer, and multiply by 24.

Total Equipped Local Loop Circuit Kilometers - Total equivalent voice-grade circuit kilometers in local loop plant.

- (bh) Equipped Local Loop Analog (4 kHz or Equivalent) Circuit Kilometers – Includes facilities for transmission of analog baseband and analog carrier on metallic cable and open wire in local loop plant. Report in equivalent 4 kHz circuit kilometers.
- (bi) Equipped Local Loop Digital (64 kbps or Equivalent) Circuit Kilometers – Includes facilities for transmission of digital baseband and digital carrier on metallic cable and fiber cable in local loop plant. Report as equivalent 64 kbps circuit kilometers. This may be calculated by summing unrounded DS-1 kilometers, rounding the total to the nearest kilometer, and multiplying the result by 24.

Total Equipped Interoffice Circuit Kilometers (Cable and Microwave Systems) - Total equivalent voice-grade circuit kilometers in interoffice plant. Include both cable and microwave facilities.

- (bk) Equipped Interoffice Analog (4 kHz or Equivalent) Circuit Kilometers - Includes facilities for transmission of analog baseband on metallic cable, analog carrier on metallic cable and on microwave radio in interoffice plant. Report in equivalent 4 kHz circuit kilometers.
- (bl) Equipped Interoffice Digital (64 kbps or Equivalent) Circuit Kilometers – Includes facilities for transmission of digital baseband and digital carrier on metallic cable, fiber cable, and microwave radio in interoffice plant. Report as equivalent 64 kbps circuit kilometers. This may be calculated by summing unrounded DS-1 kilometers, rounding the total to the nearest kilometer, and multiplying the result by 24.



## TABLE II - SWITCHED ACCESS LINES IN SERVICE

## GENERAL INSTRUCTIONS

Table II requires the annual reporting of central office switches and switched access line statistics by state as of December 31 of the calendar year covered by the report.

Report in Table II only those access lines connecting end-users with their end offices for switched services. Access lines are classified as analog or digital based on the type of service provided. Include 800 and 800-like access lines and employee concession lines but do **NOT** include official/company circuits in the access line counts. **Provide a footnote if this has been done differently in the past.** Do not include in Table II circuits that provide access to an interexchange carrier. Do not include in Table II any special access lines, including the closed end of WATS and FX; all special access lines should be included in Table III, column (fj) or (fk). All local private lines should be included in Table III, column (fm).

Any row/column data entry which contains UNE data must be accompanied by an explanatory footnote identifying the types of UNEs (e.g., "UNE-P") that are included.

**Include footnotes in the Footnote Table liberally, especially where the reporting company perceives any ambiguities in the data provided, where procedures or internal sources associated with data preparation have changed (including data filed in compliance with revised definitions), or where required data are available only in part or on an estimated basis.**

## ROW INSTRUCTIONS

Each row represents a state, district or territory in which the reporting company has switched access lines. Include only those rows with data to be reported, but complete every item in those rows. Include a row for total company data, even if there is only one state row. See the State Row Numbers and Codes Reference Table for assigned row numbers and codes and for the correct order in which the rows shall appear.

## COLUMN DESCRIPTIONS

Each column represents a category of switched access lines, central office switches, or ISDN control channels.

COLUMN

- (ca) State or Territory - The name of one of the fifty U.S. states or one of the following: District of Columbia, Northern Mariana Islands, Puerto Rico, Virgin Islands, or Total.
- (cb) State or Territory Code - The two-letter Postal Abbreviation for the state or territory. Use "MC" for Northern Mariana Islands and "TO" for Total Company.

- (cc) Main Access Lines - Enter the total number of (a) analog switched access lines, provided over 4 kHz or equivalent facilities, that connect to residential, single or multiline business telephones, excluding PBX Trunks, Centrex-CO lines, Centrex-CU Trunks, and Hotel/Motel LD Trunks, and (b) digital switched access lines provided over 64 kbps, 56 kbps, or ISDN B channels or other equivalent communications channels that are circuit-switched and can carry either voice or data, excluding digital access lines connecting to a customer location PBX or Centrex. Do not include resold services, which are to be included in column (ci) – Other Switched Access Lines.
- (cd) PBX and Centrex Trunks - Enter the total number of (a) analog trunks provided between the central office and a customer location PBX or Centrex, including Centrex-CU Trunks, PBX Trunks, and Hotel/Motel LD Trunks over 4 kHz or equivalent facilities, where service is provided by equipment located on customer-controlled space, and (b) 64 kbps or equivalent digital trunks terminated on a customer location PBX and/or Centrex, including Centrex-CU trunks. Do not include resold services, which are to be included in column (ci) – Other Switched Access Lines.
- (ce) Centrex Extensions - For service that is provided by equipment connecting a Centrex-CO on telephone company premises to station equipment on the customer's premises, including service provided by a digital Centrex to analog station equipment, enter the total number of analog circuits and 64 kbps or equivalent digital circuits, including ISDN-based Centrex-CO Lines. Do not include resold services, which are to be included in column (ci) – Other Switched Access Lines.
- (ci) Other Switched Access Lines - Provide, in terms of equivalent 4 kHz analog circuits or equivalent 64 kbps digital circuits, the number of other switched access lines not included in columns (cc) through (ce). Include resold telephone exchange service lines. **Use a footnote to itemize the separate categories and amounts which are included here.**
- (cj) Total Switched Access Lines - The sum of columns (cc) through (ci). This shall equal the amount reported in Table III column (fi).

Central Office Switches - Assemblies of equipment and software designed to establish connections among lines or between lines and trunks, including access tandems, local, class 5 switching machines, and any associated stand-alone and non stand-alone remote switching machines. There may be more than one switch per central office or wire center. If more than one switch is housed in a single building or structure, be sure to count each switch separately. Do not separately count each three-digit telephone number prefix as a separate switch.

- (ck) Central Office Switches Excluding Remote Switches - The amount in column (cm) minus the amount in column (cl) for each row.
- (cl) Remote Switches - Generally described as a switch that has no connection to the facilities network except through its host switch. The host provides the processing capabilities and certain control functions for the remote under the direction of the host central processor and controls the remote over a pair of dedicated data links. Include not only those remote switches that are equipped to operate in a stand alone fashion to be able to provide more limited service, but also those that are not so equipped, i.e., non stand-alone remote switches.
- (cm) Total Central Office Switches - The total number of local and tandem switches. Tandem switches are used to connect local switches with local switches in other central offices, including those tandems that are designed exclusively to establish connections between trunks. This column is consistent with Row 0110, Total Switching Entities, in Table I of FCC Report 43-07, the ARMIS Infrastructure Report.

ISDN Control Channels - The packet switched channels on digital subscriber lines (16 kbps for basic rate access or 64 kbps for primary rate access) that carry signaling messages and packet-switched user data. This information should be reported in terms of actual control channels rather than in 64 kbps equivalents (as was requested for 1988 through 1990) and should not be included in the total reported in column (cj). Where ISDN services are provided, use column (cn) and (co) to show the number of 16 kbps and 64 kbps control channels. **For similar services, provide the total number of control channels and indicate the types included in a footnote.**

- (cn) Basic Rate ISDN Control Channels - The number of basic rate (16 kbps) ISDN control channels. Also include the number of control channels for similar services with a data rate lower than 16 kbps, and **indicate the types included in a footnote.**
- (co) Primary Rate ISDN Control Channels - The number of primary rate (64 kbps) ISDN control channels. Also include the number of control channels for similar services with a data rate higher than 16 kbps, and **indicate the types included in a footnote.**

## TABLE III - ACCESS LINES IN SERVICE BY CUSTOMER

## GENERAL INSTRUCTIONS

Table III requires the annual reporting of switched and special access line statistics by state as of December 31 of the calendar year covered by the report.

Report in Table III columns (fc) through (fi) only those access lines connecting end-users with their end offices for switched services, i.e., all equivalent 4 kHz or 64 kbps access lines included in Table II columns (cc) through (cj). Report special access lines, including the closed end of WATS and FX, that provide access to an interexchange carrier or other access customer in Table III column (fj) or column (fk).

Include 800 and 800-like access lines, resold telephone exchange service lines, and employee concession lines but do **NOT** include official/company circuits in the access line counts. **Provide a footnote if this has been done differently in the past.** Analog access lines should be reported as 4 kHz equivalents. ISDN and other digital access lines should be reported as 64 kbps equivalents. A fully equipped DS-1 line, for example, corresponds to 24 64 kbps equivalents.

Any row/column data entry which contains UNE data must be accompanied by an explanatory footnote identifying the types of UNEs (e.g., “UNE-P”) that are included.

**Include footnotes in the Footnote Table liberally, especially where the reporting company perceives any ambiguities in the data provided, where procedures or internal sources associated with data preparation have changed (including data filed in compliance with revised definitions), or where required data are available only in part or on an estimated basis.**

## ROW INSTRUCTIONS

Each row represents a state, district or territory in which the reporting company has access lines. Include only those rows with data to be reported, but complete every item in those rows. Include a row for total company data, even if there is only one state row. See the State Row Numbers and Codes Reference Table for assigned row numbers and codes and for the correct order in which the rows shall appear.

## COLUMN DESCRIPTIONS

Each column represents a category of switched or special access lines.

COLUMN

- (fa) State or Territory - The name of one of the fifty U.S. states or one of the following: District of Columbia, Northern Mariana Islands, Puerto Rico, Virgin Islands, or Total.
- (fb) State or Territory Code - The two-letter Postal Abbreviation for the state or territory. Use

"MC" for Northern Mariana Islands and "TO" for Total Company.

Business Switched Access Lines - Total voice-grade equivalent analog or digital switched access lines to business customers.

- (fc) Single Line Business Switched Access Lines - Includes single line business access lines subject to the single line business interstate end user common line charge, pursuant to Section 69.104(h), excluding company official and payphone lines. Payphone lines are to be reported in column (fe) – Multiline Business Switched Access Lines – Payphone Lines. The ratio of single line business access lines to total business access lines, as calculated from the data reported in Table III (i.e., column (fc) divided by the sum of columns (fc), (fd), and (fe)), should be consistent with the same ratio as calculated from the data reported in ARMIS Report 43-01, Table II.
- (fd) Multiline Business Switched Access Lines – Other than Payphone Lines - Include the total of analog and digital multiline business access lines subject to the multiline business interstate end user common line charge including PBX trunks, Centrex-CU trunks, hotel/motel LD trunks and Centrex-CO lines. Payphone lines are to be reported in column (fe) - Multiline Business Switched Access Lines - Payphone Lines. The ratio of multiline business access lines, including payphone lines, to total business access lines, as calculated from the data reported in Table III, (i.e., the sum of columns (fd) and (fe) divided by the sum of columns (fc), (fd), and (fe)), should be consistent with the same ratio as calculated from the data reported in ARMIS Report 43-01, Table II.
- (fe) Multiline Business Switched Access Lines – Payphone Lines - Lines that provide payphone service, i.e., total coin (public and semi-public) lines, including customer owned pay telephones (COPT).

Residential Switched Access Lines - Total equivalent analog or digital switched access lines to residential customers. The sum of residential access lines reported in columns (ff), (fg), and (fh) should be consistent with the total of the data reported for residence lifeline and non-lifeline access lines in the ARMIS Annual Summary Report (43-01), Table II, column (bb), row 2100 plus row 2110.

- (ff) Residential Switched Access Lines - Lifeline - Total of all (a) equivalent 4 kHz analog switched access lines and (b) equivalent 64 kbps digital switched access lines as reported in Table II, that are provided to residential lifeline customers.
- (fg) Residential Switched Access Lines - Non-Lifeline - Primary - Total of all primary (a) equivalent 4 kHz analog switched access lines and (b) equivalent 64 kbps digital switched access lines as reported in Table II, that are provided to residential non-lifeline customers. *See In the Matter of Defining Primary Lines*, Report and Order & Further Notice of Proposed Rulemaking, CC Docket 97-181, FCC 99-28, released March 10, 1999.

- (fh) Residential Switched Access Lines - Non-Lifeline – Non-Primary - Total of all non-primary (a) equivalent 4 kHz analog switched access lines and (b) equivalent 64 kbps digital switched access lines as reported in Table II, that are provided to residential non-lifeline customers. *See In the Matter of Defining Primary Lines*, Report and Order & Further Notice of Proposed Rulemaking, CC Docket 97-181, FCC 99-28, released March 10, 1999.
- (fi) Total Switched Access Lines - The sum of columns (fc) through (fh). This shall equal the amount reported in Table II column (cj).

Special Access Lines (Non-Switched) – Total special access lines connecting an end user’s premises to an interexchange carrier or other access customer point of presence. Do not include local private lines provided by the local carrier which originate and terminate within the same LATA, which are to be reported in column (fm) – Local Private Lines.. The access lines to be counted in columns (fj) and (fk) are those furnished by the reporting carrier under the provisions of the carrier’s state and interstate Special Access tariffs.

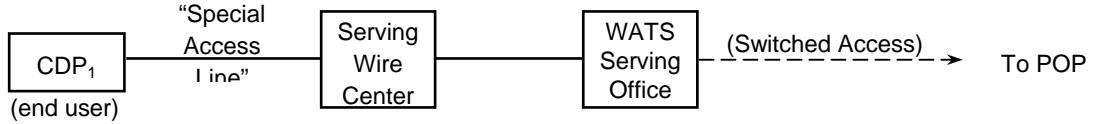
- (fj) Analog Special Access Lines (Non-Switched) (4 kHz or Equiv.) - The number of 4 kHz or equivalent analog special access lines terminated at the customer designated premises. For each 4 kHz or equivalent service configuration with only one customer designated premises, e.g., where the line connects to a WATS Serving Office, count one (1) access line. For each 4 kHz or equivalent service configuration with two or more customer designated premises locations, count one (1) access line for each customer designated premises location, and subtract one from that total—thus deducting the point-of-presence (POP) location—to obtain the correct count. **(See Figure 1, following.)**
- (fk) Digital Special Access Lines (Non-Switched) (64 kbps or Equiv.) - The number of 64 kbps or equivalent digital special access lines terminated at the customer designated premises. For each 64 kbps service configuration with only one customer designated premises, e.g., where the line connects to a WATS Serving Office, count one (1) access line. For each 64 kbps service configuration with two or more customer designated premises locations, count one (1) access line for each customer designated premises location, and subtract one from that total—thus deducting the point-of-presence (POP) location—to obtain the correct count. **(See Figure 1, following.)** Where DS-3 or DS-1 service is provided without individual 64 kbps circuit terminations, multiply the number of DS-3 terminations by 672 and the number of DS-1 terminations by 24 when calculating the value for this column. In the above calculation, only use those DS-1’s and DS-3’s for which the customer is billed. Do not double count 64 kbps circuits associated with DS-1 service where the 64 kbps circuits are customer-derived.
- (fl) Total Access Lines (Switched and Special) - The sum of columns (fi) through (fk).

- (fm) Local Private Lines - Enter the total number of local private lines. A local private line is defined as a special services circuit with either a serial number format or telephone number format.<sup>1</sup> Local private lines include, e.g., dedicated circuits, private switching arrangements, and/or predefined transmission paths which provide communications between specific locations (e.g., point-to-point communications), as well as foreign exchange (FX) and WATS services. For multipoint private line arrangements, count one circuit **for** each segment (connection between a bridge and an end user location). Do not count Special Access Service circuits. These are counted in columns (fj) and (fk) of this table.

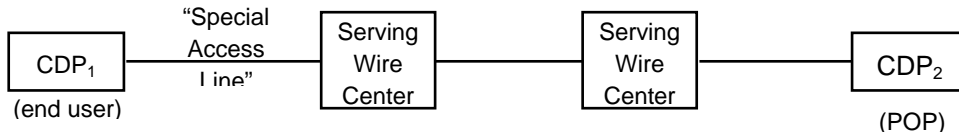
---

<sup>1</sup> Special service circuit numbering formats are described in ANSI TL.266-2000.

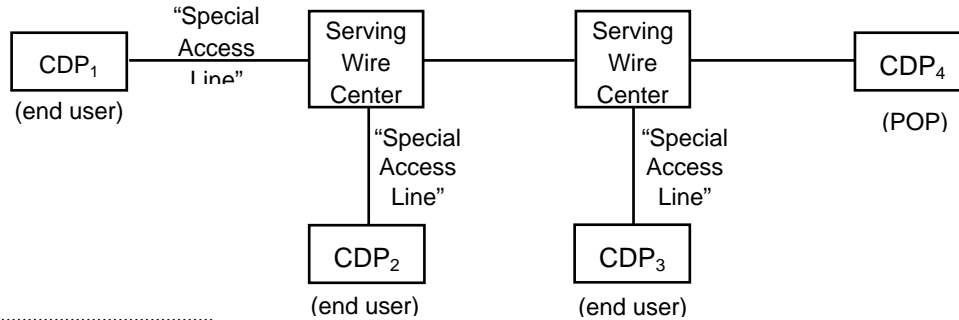
**One-point circuit: count = 1 Special Access Line**



**Two-point circuit: count = (2 - 1) = 1 Special Access Line**



**N-point circuit: count = (N - 1) = (4 - 1) = 3 Special Access Lines**



**CDP** = Customer Designated Premises, which may be either an end-user location or an interexchange carrier (IXC) or other access customer location

**POP** = point of presence of and IXC or other access customer

**Figure 1 – Special Access Line Counting Examples**



## TABLE IV - TELEPHONE CALLS

## GENERAL INSTRUCTIONS

Table IV requires the annual reporting of telephone call statistics by state for the calendar year covered by the report. Round all amounts to the nearest thousand, but report any non-zero entry that is less than 1 (thousand) as 1 (thousand).

Toll call counts should be based on originating message volumes and should reflect completed calls. Where completed call data are unavailable, estimates may be reported (e.g., the numbers shown may be based on an actual count taken periodically during the year), but **indicate the methodology and source data used in a footnote**. Billed access minutes reflect originating and terminating access minutes billed to interexchange carriers, including call set-up time, holding time, and conversation time.

**Include footnotes in the Footnote Table liberally, especially where the reporting company perceives any ambiguities in the data provided, where procedures or internal sources associated with data preparation have changed (including data filed in compliance with revised definitions), or where required data are available only in part or on an estimated basis.**

## ROW INSTRUCTIONS

Each row represents a state, district or territory in which the reporting company provides service. Include only those rows with data to be reported, but complete every item in those rows. If data are not available as to the location of all access lines by state, the data may be allocated according to the location of the central office toll center through which the calls originate. Include a row for total company data, even if there is only one state row. See the State Row Numbers and Codes Reference Table for assigned row numbers and codes and for the correct order in which the rows shall appear.

## COLUMN DESCRIPTIONS

Each column represents a category of telephone calls or minutes.

COLUMN

- (ea) State or Territory - The name of one of the fifty U.S. states or one of the following: District of Columbia, Northern Mariana Islands, Puerto Rico, Virgin Islands, or Total.
- (eb) State or Territory Code - The two-letter Postal Abbreviation for the state or territory. Use "MC" for Northern Mariana Islands and "TO" for Total Company.

- (ec) Local Calls - The number of originating calls completed or unanswered between points both of which are within the local service area of the calling telephone, or total originating calls minus total originating toll calls. Include local message unit calls and local extended area service (EAS) calls.

Toll Calls Completed - The number of completed calls directed to a point outside the local service area of the calling telephone. The number of toll calls reported should be based upon originating message volumes.

- (ed) IntraLATA Toll Calls Completed (Originating) - The number of completed toll calls carried by the reporting local operating company within a given Local Access and Transport Area (LATA). Include intraLATA-interstate and intraLATA-intrastate toll calls. Include outward calls, 800 service, directory service, dial-it services (e.g., 900 and 936 services), and optional calling plans, where applicable.

InterLATA Toll Calls Completed (Originating) - Completed calls directed to and carried by interexchange carriers.

- (ee) InterLATA-interstate Toll Calls Completed (Originating) - The number of completed interstate toll calls directed to and carried by interexchange carriers. Include outward calls, 800 service, directory service, dial-it services (e.g., 900 and 936 services), and optional calling plans. Calls should not be double counted at the originating and terminating ends.
- (ef) InterLATA-intrastate Toll Calls Completed (Originating) - The number of completed intrastate toll calls directed to and carried by interexchange carriers. Include outward calls, 800 service, directory service, dial-it services (e.g., 900 and 936 services), and optional calling plans. Calls should not be double counted at the originating and terminating ends.
- (eg) Total InterLATA Toll Calls Completed (Originating) - The sum of columns (ee) and (ef).

InterLATA Billed Access Minutes (Originating and Terminating) - The number of interLATA access minutes based on bills sent to interexchange carriers. Include total originating and terminating access minutes of use. Where these data are unavailable, a statistically valid calculation may be made based on other data. **Such a calculation must be footnoted with a description of the source data and methodology.**

- (eh) InterLATA-interstate Billed Access Minutes (Originating and Terminating) - The number of interLATA-interstate access minutes based on bills sent to interexchange carriers.

- (ei) InterLATA-intrastate Billed Access Minutes (Originating and Terminating) - The number of interLATA-intrastate access minutes based on bills sent to interexchange carriers.
- (ej) Total InterLATA Billed Access Minutes (Originating and Terminating) - The sum of columns (eh) and (ei).

## A. **Introduction**

This document contains the detailed automated data processing (ADP) specifications for the automated report to be filed as FCC Report 43-08, the ARMIS Operating Data Report.

## B. **General Format**

### 1. **Electronically-Filed Data**

- a. For data reporting years 1990 and beyond, carriers must file their ARMIS Reports and related documents electronically. Electronic submission of both is made through the Internet by selecting the “**Upload ARMIS Data**” link on the EAFS Home Page, at <http://www.fcc.gov/wcb/eafs/>.
- b. All files must be coded in ASCII. Header records in the ARMIS Report data files must include the report number, company, study area, period, COSA code, version, and submission number. A higher number (2, 3, etc.) and a new data entry date must be used each time a change occurs to denote a new submission.
- c. A separate ASCII file must be prepared for each report. More than one ASCII file can be included in the same electronic upload file – which is created by the data validation program – as long as they are for the same report and cover the same period and version (different submission numbers and multiple reasons for correcting data are allowed).
- d. The electronic submission will serve as the carrier’s official filing.

### 2. **ASCII File Name** – each file has six components:

- a. the four letter COSA code (CO = Company, SA = Study Area, see the COSA Code Table for a list of companies and their respective COSAs)
- b. the last two digits of the year which is covered by the data
- c. the letters “OD”
- d. a decimal point
- e. the letter “P”, “C”, or “U” to indicate whether this is the Public version, the Confidential version, or the Unrestricted version
- f. two digits (zero filled) for the submission number: Submission 00 is for test data purposes only; Submission 01 is for the first submission of a year’s data

For example, the file name for the Unrestricted Version of the initial Operating Data Report data file to be submitted by Illinois Bell to cover the calendar year 2007 would be LBIL07OD.U01:

|      |                                      |
|------|--------------------------------------|
| LBIL | COSA for Illinois Bell               |
| 07   | Data for calendar year 2007          |
| OD   | Operating Data Report data file      |
| .    | Decimal point                        |
| U    | Unrestricted version                 |
| 01   | First submission of this year's data |

### C. Filing Requirement

1. **Proprietary Treatment:** Carriers seeking proprietary treatment for some data must provide two electronic versions of the automated report. The Confidential Version must contain all the required information. Confidential Treatment Data Records **must** be provided to identify confidential data but are not a substitute for applying for confidential treatment with this Commission following established Commission procedures. The Public Version **should neither** include data for which the carrier is seeking proprietary treatment nor Confidential Treatment Data Records.

Carriers not seeking proprietary treatment for any data should provide only one electronic version which should be identified as the Unrestricted Version.

2. **Data Items That Are "Not Available," "Withheld," or Are "Irretrievable"** – See Sections B and C of the Reporting Procedures for a discussion of the Confidential Version, the Public Version, and the Unrestricted Version of this report and for a definition and discussion of data items that are “Not Available,” “Withheld,” or are “Irretrievable.”
3. **Related Documents** – These documents are required by Commission Order to be filed with specific ARMIS reports. The electronic submission of these documents must be converted to Adobe Acrobat's Portable Document Format (PDF), prior to submitting the documents to the Commission.

**Document Conversion Requirements:** Convert directly through a word-processing application or through the use of a scanning device. Other than a letterhead graphic, the documents to be converted should consist of text only—no graphics. Conversion of a document to PDF should result in a black and white document with a resolution no greater than 300 dpi, and having a file size no more than 40 to 50 Kb per page.

The related documents to be included in the electronic upload file for Report 43-08 are described below:

- a. **Transmittal Letter** – Each ARMIS report submission must be accompanied by a letter of transmittal. When filing confidential data, a separate letter is required. These letters must be on official company letterhead and be included in each electronic upload file. The transmittal letter must list **only** COSAs included in the submission. See Section G.2 of the Reporting Procedures for a description of the information to be provided in the transmittal letter.

- b. **Data Certification Statement** – Carriers must certify the accuracy of the data submitted in the ARMIS Reports by including one certification statement, signed by a corporate officer, in each electronic upload file. The certification statement must list **all** COSAs required for a specific ARMIS report. See Section G.3 of the Reporting Procedures for a description of the information to be included in the statement.

#### 4. **Data Validation Programs**

- a. Each reporting carrier must validate its data by using the most recent edit check program(s), provided by the Commission, for the reporting year. When an error is detected, the carrier must correct the error prior to submitting the report to the Commission.
  - b. The edit check program creates the electronic upload file to be used as the carrier's official filing. It will normally contain the following:
    - 1 The ASCII file(s)
    2. Text files that will be stored in the database
    3. The edit check results (“the Discrepancy Report”)
    4. The comparison utility results for roll-up comparisons (“the Detailed Error Report”)
    5. Related documents – one each per upload file, when applicable – in PDF
5. **Upload Comment Field:** Enter the reason for the filing, which must include a brief description of ALL data (including footnotes) that have been added, removed, or modified since the previous submission. This description must agree with what is being filed. The comments should not contain references to IATD letters. Maximum comment length is 245 characters (including spaces). If comment length will exceed 245 characters, include in the comments a reference to the associated transmittal letter by its date, for additional information.

#### D. **Data Entry Conventions**

1. Give each record a unique record number, beginning with 1001 and incrementing by one, with no numbers skipped.
2. Begin each data record in column 1 and make each record the proper length as specified in the record layouts. Commas are used as delimiters between fields. All numeric fields are right justified and space filled, e.g. use   123, NOT 123. All non-numeric fields are enclosed in double quotation marks and are left justified and space filled within these quotation marks, e.g. use “John Doe ”.
3. If an entry is to be a subtraction, indicate so by placing a minus sign in the column immediately preceding the numeric data, e.g. use -4, NOT - 4 or (4).
4. Do NOT include “\$”, “%”, embedded commas, decimal points, quotes or other formatting characters in any numeric data fields, except for row numbers and percentage fields, which

will include a decimal point but not a percent sign. Use the assigned row numbers and associated state codes, not the state name, as shown on the State Row Numbers and Codes Reference Table of the Report Definition for this report. State Codes are to be enclosed in quotation marks, left justified and space filed.

5. In any numeric data field designated by N/A, enter -99999. In any text data field designated by N/A, enter "N/A". Enter -77777 in any numeric data and "I/R" in any text data field which the reporting carrier designates as "Irretrievable" and footnote the reason for that entry (including a cite to the waiver and a note as to its duration). If a "Public Version" is filed, enter -88888 in any numeric data field and "W/H" in any text data field for which data are "Withheld" to indicate that confidential treatment has been requested. These entries must be formatted according to the format rules for the particular data field; e.g., in the percentage fields, -99999 is entered as -99999.00 and text fields are enclosed in double quotation marks.
6. Do not override designated N/As. However, if a reporting carrier wishes to apply data to a field containing a N/A, the carrier should enter as a footnote to the field, the amount(s) and an explanation. The amount(s) **must not** be entered in the N/A field. All other fields must be populated. If a data field equals the quantity zero, enter the numeral zero in that field. This is the only proper use of zero in this report.

#### E. Rounding Conventions

1. To convert miles to kilometers, compute total miles, multiply by 1.6093, and then round to the nearest whole number.
2. Internal calculations should retain, where applicable, at least 4 decimal places of accuracy; compute totals and then round to the nearest whole number before applying weighting factors.
3. Round final results (in kilometers) to the nearest whole number, but report any non-zero entry that is less than 1 kilometer as 1 kilometer.
4. Round the number of equivalent telephone poles to the nearest whole number.
5. Round telephone calls and minutes to the nearest thousand, but report any non-zero entry that is less than 1 (thousand) as 1 (thousand).
6. Report all other amounts in actual units.

#### F. Footnotes

1. **General:**
  - a. For initial (annual) filings, if any data for the current period differ materially from those for the previous period and the difference is not self-explanatory but was caused

by unusual circumstances, the carrier must include detailed footnote text to explain the specific circumstances. For resubmission filings, footnotes must be provided for all changed data, which includes changed footnotes. When a summary row value changes because of changes to one or more of its detail rows, the summary row must also be footnoted.

- b. Footnotes should be filed for the entities to which they apply: a footnote might apply to a holding company COSA only, to a study area COSA only, or to both entities. (However, footnotes should not be submitted at the holding company level if they apply only to a company's study areas.)
  - c. If the reporting carrier does not follow the procedures described in the row and column instructions of the applicable Report Definition, it must explain any deviations from those procedures in an explanatory footnote. Such footnotes must provide detailed explanations of the procedures actually used by the carrier and its specific reasons for deviating from procedures prescribed by the Commission's Rules. This provision should not be interpreted to mean that deviations from the prescribed rules will automatically be approved by the Commission. See Section E of the Reporting Procedures for examples of valid footnotes.
  - d. Footnote entries must provide detailed explanations for only those items reported in the current submission. Footnotes from prior submissions should be included only if they remain applicable. In other words, when a resubmission nullifies an existing footnote, remove the footnote.
  - e. The footnote text must be included in the Footnote Text Records.
2. **Mandatory:** Certain items require accompanying footnotes and those items are specified in the appropriate section of the Report Definitions for filing the reports. Such footnotes are mandatory and must be entered in the Footnote Text Records.

### 3. **Footnote Structure:**

Observe the footnote specifications to the letter and strive for an efficient footnote structure. Reduce the size and number of footnotes by using global and referring footnotes.

#### Global Footnotes

- a. If a footnote applies to an entire table, its row number is 9999.0, and its column letter is ZZ;
- b. If a footnote applies to all columns within a single row, its column letter is ZZ;
- c. If a footnote applies to a single column within all rows, its row number is 9999.0;



- d. If a footnote applies to a majority of (but not all) columns within a single row, its column letter is ZZ, and its text should include the identity of the columns to which the footnote applies;
- e. If a footnote applies to a single column within a majority of (but not all) rows, its row number is 9999.0, and its text should include the identity of the rows to which the footnote applies;

Referring (non-Global) Footnotes

- f. If a footnote applies to more than one, but less than a majority of rows or columns, use individual referring footnotes for the rows or columns to refer to a single explanatory footnote. The referring footnote must include the explanatory footnote's number, row, and column;
- g. Referring footnotes and the footnotes to which they refer should be in the same table.

Footnote Removal

- h. For resubmissions, remove footnotes if they no longer apply, and renumber the remaining footnotes.
- i. When removing one or more footnotes from a table that were erroneously included in a previous filing, provide a single explanatory footnote that includes a list of the affected rows and columns. This footnote's record number for the footnoted data is 9999 (field 4), its table number is ZZZZ, its row number is 9999.0, and its column letters are ZZ.

**G. Errata**

1. Carriers are under a legal obligation to correct any erroneous data, which includes footnotes, reported in ARMIS Reports. Thus, whenever there are changes in table data, footnotes are added, footnotes are removed because they were erroneously-filed, or the text of an existing footnote is changed, an erratum (and resubmission) is required. See Section B of the Reporting Procedures for the use of submission numbers when an erratum occurs.
2. Submissions containing corrected data must include references to indicate which data items were corrected since the previous submission. If the data items being corrected impact other data items in the report, then those items must also be corrected and referenced. Erratum references should reflect only those items corrected in the new submission. References from prior submissions must not be included in the new submission.
3. Current errata references must be included in the Erratum Record(s).

#### 4. **Errata Structure:**

Observe the errata record specifications to the letter, and strive for proper structure.

- a. An errata record should reference more than one column, if multiple—but not all—columns are affected for the same row. (Where all columns are affected use “ZZ” as the column reference.)
- b. When a footnote column field contains “ZZ” to indicate multiple—but not all—columns, the errata record column field should not use “ZZ.” Instead, list the columns affected in this field.
- c. The errata record should reference the footnote number to which it applies.
- d. For Submission Number 3 or higher, be careful to clear the errata table of entries from previous filings, prior to adding new errata entries for the new submission.
- e. When removing one or more footnotes from a table that were erroneously included in a previous filing, the erratum record should refer to a single footnote explaining the removed footnote(s). In the erratum record, use 9999 for the record number of the corrected data (field 4), ZZZZ for the table number, 9999.0 for the row number, and ZZ for the column letters.

#### H. **Data Record Descriptions**

The eleven data record types are described below. See pages 9 through 28 for record layouts. The automated file will consist of the following record types:

1. Record Type H1 - Header Record  
One Type H1 record per file. The first record of each file. Contains identifying data. See page 9 for record layout.
2. Record Type L2 - Label Record  
One Type L2 record per file. The second record of each file. Contains report number, carrier classification, carrier name, study area name, etc. See page 10 for record layout.
3. Record Type K1 - (Table I.A) Outside Plant Statistics-Cable and Wire Facilities Data Record  
One Type K1 record for each row with data to be reported. Include one K1 record for total company data, even if there is only one state row, as shown on pages 5 & 6 of the Report Definition. Each record represents a state, district, or territory in which the reporting company has cable and wire facilities. See pages 11 – 13 for record layout.

4. Record Type S1 - (Table I.B) Outside Plant Statistics-Other Data Record  
One Type S1 record for each row with data to be reported. Include one S1 record for total company data, even if there is only one state row, as shown on pages 6 & 7 of the Report Definition. Each record represents a state, district, or territory in which the reporting company has outside plant facilities. See pages 14 & 15 for record layout.
5. Record Type N1 - (Table II) Switched Access Lines In Service Data Record  
One Type N1 record for each row with data to be reported. Include one N1 record for total company data, even if there is only one state row, as shown on pages 7 & 8 of the Report Definition. Each record represents a state, district, or territory in which the reporting company has switched access lines. See pages 16 & 17 for record layout.
6. Record Type A2 - (Table III) Access Lines In Service By Customer Data Record  
One Type A2 record for each row with data to be reported. Include one A2 record for total company data, even if there is only one state row, as shown on pages 8 & 9 of the Report Definition. Each record represents a state, district, or territory in which the reporting company has access lines. See pages 18 & 19 for record layout.
7. Record Type P1 - (Table IV) Telephone Calls Data Record  
One Type P1 record for each row with data to be reported. Include one P1 record for total company data, even if there is only one state row, as shown on page 9 of the Report Definition. Each record represents a state, district, or territory in which the reporting company provides service. See pages 20 & 21 for record layout.
8. Record Type C3 – Confidential Treatment Record (Confidential Version only)  
One or more Type C3 records per file. Contains information to identify the data for which the carrier is seeking confidential treatment. Do not include this record type in the Public or Unrestricted Versions of a report. See pages 22 & 23 for record layout.
9. Record Type F3 - Footnote Record  
Optional. Zero or more Type F3 records per file. Contains explanatory footnote text. Certain items require accompanying mandatory footnotes and those items are specified in the appropriate section of the instructions for filing the 43-08. See pages 24 & 25 for record layout.
10. Record Type E4 - Erratum Record  
Zero Type E4 records in the first submission of a year's data. One or more Type E4 records per file in revisions filed to correct that year's submission. Each time an erratum occurs, a carrier must use a new submission number. Contains information to identify the data which was corrected in the submission. See pages 26 & 27 for record layout.
11. Record Type T1 - Trailer Record  
One Type T1 record per file. The last record of each file. Contains contact person, etc. See page 28 for record layout.

RECORD TYPE H1 - HEADER RECORD

| <u>Field</u> | <u>Item</u>        | <u>Example</u> | <u>Position</u> | <u>Description</u>   |
|--------------|--------------------|----------------|-----------------|--|
| 1            | Record Number      | 1001           | 1 – 4           | The sequential number of this record within this data file plus 1000.<br>Format: Right justified and space filled.   |
| 2            | COSA               | "LBIL"         | 6 – 11          | The COSA code for the filing entity.<br>Format: Include quotation marks.   |
| 3            | Record Type        | "H1"           | 13 – 16         | Always contains the letter H capitalized and the number 1 with no space between them.<br>Format: Include quotation marks.  |
| 4            | File Name          | "LBIL07OD.U01" | 18 – 31         | The name of the ASCII file.<br>Format: See page 1, paragraph B.2. Include quotation marks.   |
| 5            | Year               | 2007           | 33 – 36         | The year covered by the data.  |
| 6            | Quarter #          | 0              | 38              | Always contains the number 0 since this is an annual data file.  |
| 7            | Data Entry Date    | 20080315       | 40 – 47         | The date on which the data were last entered or revised.<br>Format: YYYYMMDD.  |
| 8            | Version            | "U"            | 49 – 51         | The version letter U capitalized for Unrestricted.<br>Format: Include quotation marks.   |
| 9            | Submission #       | 01             | 53 – 54         | 00 for test data purposes only; 01 for first submission of a year's data. Higher numbers (02, 03, etc.) are used each time a change occurs to denote a new submission.<br>Format: Right justified. |
| 10           | End of Record Code | "XQ"           | 56 – 59         | Always contains the letters XQ capitalized with no space between them to indicate the end of the record.<br>Format: Include quotation marks.   |

Note: All fields are separated by commas.

```

1         2         3         4         5
1234567890123456789012345678901234567890123456789
Sample record:
1001,"LBIL","H1","LBIL07OD.U01",2007,0,20080315,"U",01,"XQ"
    
```

RECORD TYPE L2 - LABEL RECORD

| <u>Field</u> | <u>Item</u>          | <u>Example</u>                             | <u>Position</u> | <u>Description</u>   |
|--------------|----------------------|--|-----------------|--|
| 1            | Record Number        | 1002                                       | 1 – 4           | The sequential number of this record within this data file plus 1000.<br>Format: Right justified and space filled.                           |
| 2            | COSA                 | "LBIL"                                     | 6 – 11          | The COSA code for the filing entity.<br>Format: Include quotation marks.   |
| 3            | Record Type          | "L2"                                       | 13 – 16         | Always contains the letter L capitalized and the number 2 with no space between them.<br>Format: Include quotation marks.                    |
| 4            | Report Number        | "FCC REPORT 43-08"                         | 18 – 35         | Always contains "FCC REPORT 43-08" capitalized.<br>Format: Include quotation marks.  |
| 5            | Account Filing Level | "A"  | 37 – 39         | Account filing level (Class A or B) capitalized.<br>Format: Include quotation marks.   |
| 6            | Carrier              | "Illinois Bell "<br>(spaces until pos. 70) | 41 - 71         | Name of the carrier.<br>Format: Left justified and space filled. Include quotation marks.  |
| 7            | Study Area           | "Illinois "                                | 73 - 95         | Name of the study area.<br>Format: Left justified and space filled. Include quotation marks.   |
| 8            | Period Covered       | "Jan 2007 to Dec 2007"                     | 97 – 118        | Period covered by the data.<br>Format: "mmm yyyy to mmm yyyy" Include quotation marks.   |
| 9            | End of Record Code   | "XQ"                                       | 120 – 123       | Always contains the letters XQ capitalized with no space between them to indicate the end of the record.<br>Format: Include quotation marks. |

Note: All fields are separated by commas.

1 2 3 4 5 6 7 8 9  
 1234567890123456789012345678901234567890123456789012345678901234567890123456789012345

Sample record:

1002,"LBIL","L2","FCC REPORT 43-05","A","Illinois Bell ","Illinois "

1 1 1  
 0 1 2

6789012345678901234567890123

Continuation of sample record:

,"Jan 2007 to Dec 2007","XQ"

RECORD TYPE K1 (Table I.A) - OUTSIDE PLANT STATISTICS-CABLE AND WIRE FACILITIESDATA RECORD

| <u>Field</u> | <u>Item</u>     | <u>Example</u> | <u>Position</u> | <u>Description</u>   |
|--------------|-----------------|----------------|-----------------|--|
| 1            | Record Number   | 1003           | 1 – 4           | The sequential number of this record within this data file plus 1000.<br>Format: Right justified and space filled.   |
| 2            | COSA            | "LBIL"         | 6 – 11          | The COSA code for the filing entity.<br>Format: Include quotation marks.   |
| 3            | Record Type     | "K1"           | 13 – 16         | Always contains the letter K capitalized and the number 1 with no space between them.<br>Format: Include quotation marks.  |
| 4            | Row Number      | 0240.0         | 18 – 23         | Row numbers as identified on the Report Definition.<br>Valid range: 0110.0 to 0910.0<br>Format: Right justified and space filled, with one decimal place. Since all applicable row numbers are integers, append .0 to each row number.   |
| 5            | Column (b) data | "IL"           | 25 – 28         | This field contains the data corresponding to column (b) as shown on the Form Section of the Report Definition. See the State Row Numbers and Codes Reference Table for a list of state codes.<br>Format: Left justified and space filled. Include quotation marks.  |
| 6            | Column (c) data | 5432           | 30 – 39         | This field contains the data corresponding to column (c) as shown on the Form Section of the Report Definition. DO NOT override designated N/As.<br><u>Format:</u> Right justified and space filled. See Sections D and E for data entry and rounding conventions. All fields must be populated. If there are no data applicable to an open field, enter zero. |

RECORD TYPE K1 (Table I.A) - OUTSIDE PLANT STATISTICS-CABLE AND WIRE FACILITIES  
DATA RECORD (continued)

|    |                 |       |           |   |
|----|-----------------|-------|-----------|---|
| 7  | Column (d) data | 5432  | 41 – 50   | Column (d) data<br>Format: See Field 6 above. |
| 8  | Column (e) data | 1358  | 52 – 61   | Column (e) data<br>Format: See Field 6 above. |
| 9  | Column (f) data | 1358  | 63 – 72   | Column (f) data<br>Format: See Field 6 above. |
| 10 | Column (g) data | 2716  | 74 – 83   | Column (g) data<br>Format: See Field 6 above. |
| 11 | Column (h) data | 1358  | 85 – 94   | Column (h) data<br>Format: See Field 6 above. |
| 12 | Column (i) data | 5432  | 96 – 105  | Column (I) data<br>Format: See Field 6 above. |
| 13 | Column (n) data | 5432  | 107 – 116 | Column (n) data<br>Format: See Field 6 above. |
| 14 | Column (o) data | 2716  | 118 – 127 | Column (o) data<br>Format: See Field 6 above. |
| 15 | Column (p) data | 13580 | 129 – 138 | Column (p) data<br>Format: See Field 6 above. |
| 16 | Column (q) data | 12222 | 140 – 149 | Column (q) data<br>Format: See Field 6 above. |
| 17 | Column (r) data | 1358  | 151 – 160 | Column (r) data<br>Format: See Field 6 above. |
| 18 | Column (s) data | 2716  | 162 – 171 | Column (s) data<br>Format: See Field 6 above. |
| 19 | Column (t) data | 20370 | 173 – 182 | Column (t) data<br>Format: See Field 6 above. |
| 20 | Column (u) data | 16296 | 184 – 193 | Column (u) data<br>Format: See Field 6 above. |
| 21 | Column (v) data | 25432 | 195 – 204 | Column (v) data<br>Format: See Field 6 above. |
| 22 | Column (w) data | 7431  | 206 – 215 | Column (w) data<br>Format: See Field 6 above. |

RECORD TYPE K1 (Table I.A) - OUTSIDE PLANT STATISTICS-CABLE AND WIRE FACILITIES  
DATA RECORD (continued)

|    |                    |       |           |  |
|----|--------------------|-------|-----------|--|
| 23 | Column (x) data    | 54320 | 217 – 226 | Column (x) data<br>Format: See Field 6 above   |
| 24 | End of Record Code | "XQ"  | 228 – 231 | Always contains the letters XQ capitalized with no space between them to indicate the end of the record.<br>Format: Include quotation marks. |

Notes: All fields are separated by commas.

Certain items require accompanying mandatory footnotes and must be entered in the Footnote Text record(s). Record Type K1 requires mandatory footnotes for those data fields designated as "Irretrievable"

|  |         |       |         |       |       |       |       |       |       |       |
|--|---------|-------|---------|-------|-------|-------|-------|-------|-------|-------|
| 1  | 2       | 3     | 4       | 5     | 6     | 7     | 8     | 9     |       |       |
| <u>1234567890123456789012345678901234567890123456789012345678901234567890123456789012345</u> |         |       |         |       |       |       |       |       |       |       |
| Sample records:  |         |       |         |       |       |       |       |       |       |       |
| 1003,  | "LBIL", | "K1", | 0240.0, | "IL", | 5432, | 5432, | 1358, | 1358, | 2716, | 1358, |
| 1004,  | "LBIL", | "K1", | 0910.0, | "TO", | 5432, | 5432, | 1358, | 1358, | 2716, | 1358, |

|   |       |       |        |        |       |       |        |   |
|---|-------|-------|--------|--------|-------|-------|--------|---|
| 1   | 1     | 1     | 1      | 1      | 1     | 1     | 1      | 1 |
| 0   | 1     | 2     | 3      | 4      | 5     | 6     | 7      | 8 |
| <u>6789012345678901234567890123456789012345678901234567890123456789012345678901234567890123</u> |       |       |        |        |       |       |        |   |
| 5432,   | 5432, | 2716, | 13580, | 12222, | 1358, | 2716, | 20370, |   |
| 5432,   | 5432, | 2716, | 13580, | 12222, | 1358, | 2716, | 20370, |   |

|   |        |       |            |   |
|---|--------|-------|------------|---|
| 1   | 2      | 2     | 2          | 2 |
| 9   | 0      | 1     | 2          | 3 |
| <u>456789012345678901234567890123456789012345678901</u> |        |       |            |   |
| Continuation of sample records:                         |        |       |            |   |
| 16296,  | 25432, | 7431, | 54320,"XQ" |   |
| 16296,  | 25432, | 7431, | 54320,'XQ" |   |



RECORD TYPE S1 (Table I.B) - OUTSIDE PLANT STATISTICS-OTHER DATA RECORD

| <u>Field</u> | <u>Item</u>      | <u>Example</u> | <u>Position</u> | <u>Description</u>  |
|--------------|------------------|----------------|-----------------|---|
| 1            | Record Number    | 1005           | 1 – 4           | The sequential number of this record within this data file plus 1000.<br>Format: Right justified and space filled.  |
| 2            | COSA             | "LBIL"         | 6 – 11          | The COSA code for the filing entity.<br>Format: Include quotation marks.  |
| 3            | Record Type      | "S1"           | 13 – 16         | Always contains the letter S capitalized and the number 1 with no space between them.<br>Format: Include quotation marks.   |
| 4            | Row Number       | 0240.0         | 18 – 23         | Row numbers as identified on the Report Definition.<br>Valid range: 0110.0 to 0910.0<br>Format: Right justified and space filled, with one decimal place. Since all applicable row numbers are integers, append .0 to each row number.  |
| 5            | Column (bb) data | "IL"           | 25 – 28         | This field contains the data corresponding to column (bb) as shown on the Form Section of the Report Definition. See the State Row Numbers and Codes Reference Table for a list of state codes.<br>Format: Left justified and space filled. Include quotation marks.  |
| 6            | Column (bc) data | 5432           | 30 – 39         | This field contains the data corresponding to column (bc) as shown on the Form Section of the Report Definition. DO NOT override designated N/As.<br><u>Format:</u> Right justified and space filled. See Sections D and E for data entry and rounding conventions. All fields must be populated. If there are no data applicable to an open field, enter zero. |
| 7            | Column (bd) data | 35432          | 41 – 50         | Column (bd) data<br>Format: See Field 6 above.  |
| 8            | Column (bf) data | 1358           | 52 – 61         | Column (bf) data<br>Format: See Field 6 above.  |

RECORD TYPE S1 (Table I.B) - OUTSIDE PLANT STATISTICS-OTHER DATA RECORD (continued)

|    |                    |        |           |  |
|----|--------------------|--------|-----------|--|
| 9  | Column (bg) data   | 101358 | 63 – 72   | Column (bg) data<br>Format: See Field 6 above.   |
| 10 | Column (bh) data   | 72816  | 74 – 83   | Column (bh) data<br>Format: See Field 6 above.   |
| 11 | Column (bi) data   | 601358 | 85 – 94   | Column (bi) data<br>Format: See Field 6 above.   |
| 12 | Column (bk) data   | 405432 | 96 – 105  | Column (bk) data<br>Format: See Field 6 above.   |
| 13 | Column (bl) data   | 5432   | 107 – 116 | Column (bl) data<br>Format: See Field 6 above.   |
| 14 | End of Record Code | "XQ"   | 118 – 121 | Always contains the letters XQ capitalized with no space between them to indicate the end of the record.<br>Format: Include quotation marks. |

Notes: All fields are separated by commas.

Certain items require accompanying mandatory footnotes and must be entered in the Footnote Text record(s). Record Type S1 requires mandatory footnotes for those data fields designated as "Irretrievable".

| 1   | 2 | 3 | 4     | 5      | 6     | 7       | 8      | 9       |
|---|---|---|-------|--------|-------|---------|--------|---------|
| 12345678901234567890123456789012345678901234567890123456789012345678901234567890123456789012345 |   |   |       |        |       |         |        |         |
| Sample records:   |   |   |       |        |       |         |        |         |
| 1005,"LBIL","S1",0240.0,"IL",   |   |   | 5432, | 35432, | 1358, | 101358, | 72816, | 601358, |
| 1006,"LBIL","S1",0910.0,"TO",   |   |   | 5432, | 35432, | 1358, | 101358, | 72816, | 601358, |

| 1                                 | 2         | 3 |
|-----------------------------------|-----------|---|
| 1                                 | 1         | 1 |
| 9 0                               | 1         | 2 |
| <u>67890123456789012345678901</u> |           |   |
| Continuation of sample records:   |           |   |
| 405432,                           | 5432,"XQ" |   |
| 405432,                           | 5432,"XQ" |   |

RECORD TYPE N1 (Table II) - SWITCHED ACCESS LINES IN SERVICE DATA RECORD

| <u>Field</u> | <u>Item</u>      | <u>Example</u> | <u>Position</u> | <u>Description</u>  |
|--------------|------------------|----------------|-----------------|---|
| 1            | Record Number    | 1007           | 1 – 4           | The sequential number of this record within this data file plus 1000.<br>Format: Right justified and space filled.  |
| 2            | COSA             | "LBIL"         | 6 – 11          | The COSA code for the filing entity.<br>Format: Include quotation marks.  |
| 3            | Record Type      | "N1"           | 13 – 16         | Always contains the letter N capitalized and the number 1 with no space between them.<br>Format: Include quotation marks.   |
| 4            | Row Number       | 0240.0         | 18 – 23         | Row numbers as identified on the Report Definition.<br>Valid range: 0110.0 to 0910.0<br>Format: Right justified and space filled, with one decimal place. Since all applicable row numbers are integers, append .0 to each row number.  |
| 5            | Column (cb) data | "IL"           | 25 – 28         | This field contains the data corresponding to column (cb) as shown on the Form Section of the Report Definition. See the State Row Numbers and Codes Reference Table for a list of state codes.<br>Format: Left justified and space filled. Include quotation marks.  |
| 6            | Column (cc) data | 5432           | 30 – 39         | This field contains the data corresponding to column (cc) as shown on the Form Section of the Report Definition. DO NOT override designated N/As.<br><u>Format:</u> Right justified and space filled. See Sections D and E for data entry and rounding conventions. All fields must be populated. If there are no data applicable to an open field, enter zero. |
| 7            | Column (cd) data | 5432           | 41 – 50         | Column (cd) data<br>Format: See Field 6 above.  |
| 8            | Column (ce) data | 1358           | 52 – 61         | Column (ce) data<br>Format: See Field 6 above.  |

RECORD TYPE N1 (Table II) - SWITCHED ACCESS LINES IN SERVICE DATA RECORD (continued)

|    |                    |       |           |  |
|----|--------------------|-------|-----------|--|
| 9  | Column (ci) data   | 1358  | 63 – 72   | Column (ci) data<br>Format: See Field 6 above.   |
| 10 | Column (cj) data   | 13580 | 74 – 83   | Column (cj) data<br>Format: See Field 6 above.   |
| 11 | Column (ck) data   | 1358  | 85 – 94   | Column (ck) data<br>Format: See Field 6 above.   |
| 12 | Column (cl) data   | 5432  | 96 – 105  | Column (cl) data<br>Format: See Field 6 above.   |
| 13 | Column (cm) data   | 3086  | 107 – 116 | Column (cm) data<br>Format: See Field 6 above.   |
| 14 | Column (cn) data   | 2716  | 118 – 127 | Column (cn) data<br>Format: See Field 6 above.   |
| 15 | Column (co) data   | 5432  | 129 – 138 | Column (co) data<br>Format: See Field 6 above.   |
| 16 | End of Record Code | "XQ"  | 140 – 143 | Always contains the letters XQ capitalized with no space between them to indicate the end of the record.<br>Format: Include quotation marks. |

Notes: All fields are separated by commas.

Certain items require accompanying mandatory footnotes and must be entered in the Footnote Text record(s). Record Type N1 requires mandatory footnotes for those data fields designated as "Irretrievable". In addition, footnotes are required for any row/column data entry which contains UNE data. The footnotes must identify the types of UNE's (e.g., "UNE-P") included in the data.

1 2 3 4 5 6 7 8 9  
 1234567890123456789012345678901234567890123456789012345678901234567890123456789012345

Sample records:

1007,"LBIL", "N1",0240.0,"IL", 5432, 5432, 1358, 1358, 13580, 1358,  
 1008,"LBIL", "N1",0910.0,"TO", 5432, 5432, 1358, 1358, 13580, 1358,

1 1 1 1 1  
 0 1 2 3 4

678901234567890123456789012345678901234567890123

Continuation of sample records:

5432, 3086, 2716, 5432,"XQ"  
 5432, 3086, 2716, 5432,"XQ"

RECORD TYPE A2 (Table III) - ACCESS LINES IN SERVICE BY CUSTOMER DATA RECORD

| <u>Field</u> | <u>Item</u>      | <u>Example</u> | <u>Position</u> | <u>Description</u>  |
|--------------|------------------|----------------|-----------------|---|
| 1            | Record Number    | 1009           | 1 – 4           | The sequential number of this record within this data file plus 1000.<br>Format: Right justified and space filled.  |
| 2            | COSA             | "LBIL"         | 6 – 11          | The COSA code for the filing entity.<br>Format: Include quotation marks.  |
| 3            | Record Type      | "A2"           | 13 – 16         | Always contains the letter A capitalized and the number 2 with no space between them.<br>Format: Include quotation marks.   |
| 4            | Row Number       | 0240.0         | 18 – 23         | Row numbers as identified on the Report Definition.<br>Valid range: 0110.0 to 0910.0<br>Format: Right justified and space filled, with one decimal place. Since all applicable row numbers are integers, append .0 to each row number.  |
| 5            | Column (fb) data | "IL"           | 25 – 28         | This field contains the data corresponding to column (fb) as shown on the Form Section of the Report Definition. See the State Row Numbers and Codes Reference Table for a list of state codes.<br>Format: Left justified and space filled. Include quotation marks.  |
| 6            | Column (fc) data | 135894         | 30 – 39         | This field contains the data corresponding to column (fc) as shown on the Form Section of the Report Definition. DO NOT override designated N/As.<br><u>Format:</u> Right justified and space filled. See Sections D and E for data entry and rounding conventions. All fields must be populated. If there are no data applicable to an open field, enter zero. |
| 7            | Column (fd) data | 5432           | 41 – 50         | Column (fd) data<br>Format: See Field 6 above.  |
| 8            | Column (fe) data | 4074           | 52 – 61         | Column (fe) data<br>Format: See Field 6 above.  |

RECORD TYPE A2 (Table III) - ACCESS LINES IN SERVICE BY CUSTOMER DATA RECORD (continued)

|    |                    |        |           |  |
|----|--------------------|--------|-----------|--|
| 9  | Column (ff) data   | 1358   | 63 – 72   | Column (ff) data<br>Format: See Field 6 above.   |
| 10 | Column (fg) data   | 8148   | 74 – 83   | Column (fg) data<br>Format: See Field 6 above.   |
| 11 | Column (fh) data   | 1358   | 85 – 94   | Column (fh) data<br>Format: See Field 6 above.   |
| 12 | Column (fi) data   | 156264 | 96 – 105  | Column (fi) data<br>Format: See Field 6 above.   |
| 13 | Column (fj) data   | 3086   | 107 – 116 | Column (fj) data<br>Format: See Field 6 above.   |
| 14 | Column (fk) data   | 2716   | 118 – 127 | Column (fk) data<br>Format: See Field 6 above.   |
| 15 | Column (fl) data   | 162066 | 129 – 138 | Column (fl) data<br>Format: See Field 6 above.   |
| 16 | Column (fm) data   | 31274  | 140 – 149 | Column (fm) data<br>Format: See Field 6 above.   |
| 17 | End of Record Code | "XQ"   | 151 – 154 | Always contains the letters XQ capitalized with no space between them to indicate the end of the record.<br>Format: Include quotation marks. |

Notes: All fields are separated by commas.

Certain items require accompanying mandatory footnotes and must be entered in the Footnote Text record(s). Record Type A2 requires mandatory footnotes for those data fields designated as “Irretrievable”. In addition, footnotes are required for any row/column data entry which contains UNE data. The footnotes must identify the types of UNE’s (e.g., “UNE-P”) included in the data.

|   |   |   |   |   |   |   |   |   |
|---|---|---|---|---|---|---|---|---|
| 1   | 2 | 3 | 4 | 5 | 6 | 7 | 8 | 9 |
| 1234567890123456789012345678901234567890123456789012345678901234567890123456789012345 |   |   |   |   |   |   |   |   |

Sample records:

|                                   |         |       |       |       |       |       |
|-----------------------------------|---------|-------|-------|-------|-------|-------|
| 1009, "LBIL", "A2", 0240.0, "IL", | 135894, | 5432, | 4074, | 1358, | 8148, | 1358, |
| 1010, "LBIL", "A2", 0910.0, "TO", | 135894, | 5432, | 4074, | 1358, | 8148, | 1358, |

|   |   |   |   |   |   |
|---|---|---|---|---|---|
| 1 | 1 | 1 | 1 | 1 | 1 |
| 0 | 1 | 2 | 3 | 4 | 5 |

678901234567890123456789012345678901234567890123456789012345678901234

Continuation of sample records:

|         |       |       |         |             |
|---------|-------|-------|---------|-------------|
| 156264, | 3086, | 2716, | 162066, | 31274, "XQ" |
| 156264, | 3086, | 2716, | 162066, | 31274, "XQ" |

RECORD TYPE P1 (Table IV) - TELEPHONE CALLS DATA RECORD

| <u>Field</u> | <u>Item</u>      | <u>Example</u> | <u>Position</u> | <u>Description</u>  |
|--------------|------------------|----------------|-----------------|---|
| 1            | Record Number    | 1011           | 1 – 4           | The sequential number of this record within this data file plus 1000.<br>Format: Right justified and space filled.  |
| 2            | COSA             | "LBIL"         | 6 – 11          | The COSA code for the filing entity.<br>Format: Include quotation marks.  |
| 3            | Record Type      | "P1"           | 13 – 16         | Always contains the letter P capitalized and the number 1 with no space between them.<br>Format: Include quotation marks.   |
| 4            | Row Number       | 0240.0         | 18 – 23         | Row numbers as identified on the Report Definition.<br>Valid range: 0110.0 to 0910.0<br>Format: Right justified and space filled, with one decimal place. Since all applicable row numbers are integers, append .0 to each row number.  |
| 5            | Column (eb) data | "IL"           | 25 – 28         | This field contains the data corresponding to column (eb) as shown on the Form Section of the Report Definition. See the State Row Numbers and Codes Reference Table for a list of state codes.<br>Format: Left justified and space filled. Include quotation marks.  |
| 6            | Column (ec) data | 5432           | 30 – 39         | This field contains the data corresponding to column (ec) as shown on the Form Section of the Report Definition. DO NOT override designated N/As.<br><u>Format:</u> Right justified and space filled. See Sections D and E for data entry and rounding conventions. All fields must be populated. If there are no data applicable to an open field, enter zero. |
| 7            | Column (ed) data | 5432           | 41 – 50         | Column (ed) data<br>Format: See Field 6 above.  |
| 8            | Column (ee) data | 1358           | 52 – 61         | Column (ee) data<br>Format: See Field 6 above.  |
| 9            | Column (ef) data | 1358           | 63 – 72         | Column (ef) data<br>Format: See Field 6 above.  |

RECORD TYPE P1 (Table IV) - TELEPHONE CALLS DATA RECORD (continued)

| <u>Field</u> | <u>Item</u>        | <u>Example</u> | <u>Position</u> | <u>Description</u>   |
|--------------|--------------------|----------------|-----------------|--|
| 10           | Column (eg) data   | 2716           | 74 – 83         | Column (eg) data<br>Format: See Field 6 above.   |
| 11           | Column (eh) data   | 13580          | 85 – 94         | Column (eh) data<br>Format: See Field 6 above.   |
| 12           | Column (ei) data   | 13580          | 96 – 105        | Column (ei) data<br>Format: See Field 6 above.   |
| 13           | Column (ej) data   | 27160          | 107 – 116       | Column (ej) data<br>Format: See Field 6 above.   |
| 14           | End of Record Code | "XQ"           | 118 – 121       | Always contains the letters XQ capitalized with no space between them to indicate the end of the record.<br>Format: Include quotation marks. |

Notes: All fields are separated by commas.

Certain items require accompanying mandatory footnotes and must be entered in the Footnote Text record(s). Record Type P1 requires mandatory footnotes for those data fields designated as "Irretrievable".

| 1   | 2 | 3 | 4     | 5     | 6     | 7     | 8     | 9      |
|---|---|---|-------|-------|-------|-------|-------|--------|
| 12345678901234567890123456789012345678901234567890123456789012345678901234567890123456789012345 |   |   |       |       |       |       |       |        |
| Sample records:   |   |   |       |       |       |       |       |        |
| 1011,"LBIL", "P1",0240.0,"IL",  |   |   | 5432, | 5432, | 1358, | 1358, | 2716, | 13580, |
| 1012,"LBIL", "P1",0910.0,"TO",  |   |   | 5432, | 5432, | 1358, | 1358, | 2716, | 13580, |

|                                   |            |   |
|-----------------------------------|------------|---|
| 1                                 | 1          | 1 |
| 0                                 | 1          | 2 |
| <u>67890123456789012345678901</u> |            |   |
| Continuation of sample records:   |            |   |
| 13580,                            | 27160,"XQ" |   |
| 13580,                            | 27160,"XQ" |   |



RECORD TYPE C3 - CONFIDENTIAL TREATMENT RECORD

| <u>Field</u> | <u>Item</u>                                  | <u>Example</u> | <u>Position</u> | <u>Description</u>  |
|--------------|--|----------------|-----------------|---|
| 1            | Record Number<br>(for <u>this</u> record)    | 1013           | 1 – 4           | The sequential number of <u>this</u> record within this data file plus 1000.<br>Format: Right justified and space filled.   |
| 2            | COSA   | "LBIL"         | 6 – 11          | The COSA code for the filing entity.<br>Format: Include quotation marks.  |
| 3            | Record Type                                  | "C3"           | 13 – 16         | Always contains the letter C capitalized and the number 3 with no space between them.<br>Format: Include quotation marks.   |
| 4            | Record Number<br>(for the confidential data) | 1003           | 18 – 21         | This field contains the record number of the record which contains the data for which the carrier is seeking confidential treatment. If the request is for the entire column(s) or the entire submission, use 9999.<br>Format: Right justified and space filled.  |
| 5            | Table Number                                 | "I.A "         | 23 – 28         | This field contains the table number (Roman numerals) of the table in which the confidential data appear. If the request is for the entire submission, enter "ZZZZ."<br>Format: Include quotation marks. Left justified and space filled.   |
| 6            | Row Number                                   | 0240.0         | 30 – 35         | This field contains the row number of the row which contains the confidential data as identified in the Report Definition. If the request is for the entire column(s), an entire table or the entire submission, enter 9999.0.<br>Format: Right justified and space filled, with one decimal place. Since all applicable row numbers are integers, append .0 to each row number.  |
| 7            | Column Label                                 | "C "           | 37 – 40         | This field contains the column letter of the confidential data as identified in the Report Definition. If the request is for an entire row, an entire table, or the entire submission, enter "ZZ." If the request is for more than one column but less than the entire row, then populate this field and as many as needed of fields 8 through 26.<br>Format: Include quotation marks. Left justified and space filled. |

RECORD TYPE C3 - CONFIDENTIAL TREATMENT RECORD (continued)

|    |                        |      |           |   |
|----|------------------------|------|-----------|---|
| 8  | Second Column Label    | "R " | 42 - 45   |   |
| 9  | Third Column Label     | " "  | 47 - 50   | Fields 8 through 26 are similar to Field 7 and are used when the request is for the same row and more than one column.<br><br>Otherwise, enter " ". |
| .  |                        |      |           |   |
| .  |                        |      |           |   |
| .  |                        |      |           |   |
| 26 | Twentieth Column Label | " "  | 132 - 135 |   |
| 27 | End of Record Code     | "XQ" | 137 - 140 | Always contains the letters XQ capitalized with no space between them to indicate the end of the record.<br>Format: Include quotation marks.        |

Note: All fields are separated by commas.

```

1           2           3           4           5           6           7           8           9
123456789012345678901234567890123456789012345678901234567890123456789012345678901234567890123456

```

Sample records:

```

1013,"LBIL","C3",1003,"I.A ",0240.0,"C ","R "," "," "," "," "," "," "," "," "," "," "," ",
1014,"LBIL","C3",1005,"I.B ",0240.0,"ZZ"," "," "," "," "," "," "," "," "," "," "," "," ",
1015,"LBIL","C3",9999,"II ",9999.0,"CN"," "," "," "," "," "," "," "," "," "," "," "," ",
1016,"LBIL","C3",9999,"ZZZZ",9999.0,"ZZ"," "," "," "," "," "," "," "," "," "," "," "," ",

```

```

1           1           1           1           1
0           1           2           3           4
789012345678901234567890123456789012345678901234567890

```

Continuation of sample records:

```

" "," "," "," "," "," "," "," "," "," "," ","XQ"
" "," "," "," "," "," "," "," "," "," "," ","XQ"
" "," "," "," "," "," "," "," "," "," "," ","XQ"
" "," "," "," "," "," "," "," "," "," "," ","XQ"

```

RECORD TYPE F3 - FOOTNOTE TEXT RECORD

| <u>Field</u> | <u>Item</u>                               | <u>Example</u> | <u>Position</u> | <u>Description</u>   |
|--------------|---|----------------|-----------------|--|
| 1            | Record Number<br>(for <u>this</u> record) | 1017           | 1 – 4           | The sequential number of <u>this</u> record within this data file plus 1000.<br>Format: Right justified and space filled.  |
| 2            | COSA                                      | "LBIL"         | 6 – 11          | The COSA code for the filing entity.<br>Format: Include quotation marks.   |
| 3            | Record Type                               | "F3"           | 13 – 16         | Always contains the letter F capitalized and the number 3 with no space between them.<br>Format: Include quotation marks.  |
| 4            | Record Number<br>(for the footnoted data) | 1003           | 18 – 21         | This field contains the record number of the record which contains the footnoted data. See Section F for Footnote structure guidelines.<br>Format: Right justified and space filled.   |
| 5            | Table Number                              | "I.A "         | 23 – 28         | This field contains the table number (Roman numerals) of the table in which the footnoted data appear. See Section F for Footnote structure guidelines.<br>Format: Include quotation marks. Left justified and space filled.   |
| 6            | Row Number                                | 0240.0         | 30 – 35         | This field contains the row number of the row which contains the footnoted data as identified in the Report Definition. See Section F for Footnote structure guidelines.<br>Format: Right justified and space filled, with one decimal place. Since all applicable row numbers are integers, append .0 to each row number. |
| 7            | Column Label                              | "C "           | 37 – 40         | This field contains the column letter(s) of the footnoted data as identified in the Report Definition. See Section F for Footnote structure guidelines.<br>Format: Include quotation marks. Left justified and space filled.   |
| 8            | Footnote Number                           | 1              | 42 – 44         | The number of this particular footnote.<br>Valid range: 1 to 999.<br>Format: Right justified and space filled.   |



RECORD TYPE E4 - ERRATUM RECORD

| <u>Field</u> | <u>Item</u>                               | <u>Example</u> | <u>Position</u> | <u>Description</u>   |
|--------------|---|----------------|-----------------|--|
| 1            | Record Number<br>(for <u>this</u> record) | 1023           | 1 – 4           | The sequential number of <u>this</u> record within this data file plus 1000.<br>Format: Right justified and space filled.  |
| 2            | COSA                                      | "LBIL"         | 6 – 11          | The COSA code for the filing entity.<br>Format: Include quotation marks.   |
| 3            | Record Type                               | "E4"           | 13 – 16         | Always contains the letter E capitalized and the number 4 with no space between them.<br>Format: Include quotation marks.  |
| 4            | Record Number<br>(for the corrected data) | 1003           | 18 – 21         | This field contains the record number of the record which contains the data which were corrected in this submission. See Section G for Errata structure guidelines.<br>Format: Right justified and space filled.   |
| 5            | Table Number                              | "I.A "         | 23 – 28         | This field contains the table number (Roman numerals) of the table in which the corrected data appear. See Section G for Errata structure guidelines.<br>Format: Include quotation marks. Left justified and space filled.   |
| 6            | Row Number                                | 0240.0         | 30 – 35         | This field contains the row number of the row which contains the corrected data as identified in the Report Definition. See Section G for Errata structure guidelines.<br>Format: Right justified and space filled, with one decimal place. Since all applicable row numbers are integers, append .0 to each row number.   |
| 7            | Column Label                              | "C "           | 37 – 40         | This field contains the column letter of the corrected data as identified in the Report Definition. See Section G for Errata structure guidelines. If more than one column but less than the entire row was corrected, then populate this field and as many as needed of fields 8 through 26.<br>Format: Include quotation marks. Left justified and space filled. |

RECORD TYPE E4 - ERRATUM RECORD (continued)

| <u>Field</u> | <u>Item</u>          | <u>Example</u> | <u>Position</u> | <u>Description</u>   |
|--------------|----------------------|----------------|-----------------|--|
| 8            | Second Column Label  | "D "           | 42 – 45         |  |
| 9            | Third Column Label   | " "            | 47 – 50         | Fields 8 thru 26 are similar to Field 7 and are used when the correction is in the same row and more than one column.                        |
| .            |                      |                |                 |  |
| .            |                      |                |                 |  |
| .            |                      |                |                 | Otherwise, enter “ ”.  |
| 26           | Twentieth Col. Label | " "            | 132 – 135       |  |
| 27           | Footnote Number      | 1              | 137 – 139       | This field contains the footnote number that explains the correction.<br>Format: Right justified and space filled.                           |
| 28           | End of Record Code   | "XQ"           | 141 – 144       | Always contains the letters XQ capitalized with no space between them to indicate the end of the record.<br>Format: Include quotation marks. |

Notes: All fields are separated by commas.

When an errata occurs, carriers must use higher submission numbers and a new data entry date to denote a new submission.

See Section G for detailed Errata content and structure guidelines.

```

      1           2           3           4           5           6           7           8           9
123456789012345678901234567890123456789012345678901234567890123456789012345678901234567890123456
Sample records:
1023,"LBIL","E4",1003,"I.A ",0240.0,"C ","D "," " "," " "," " "," " "," " "," " "," " "," " "," " ",
1024,"LBIL","E4",1005,"I.B ",0240.0,"ZZ"," " "," " "," " "," " "," " "," " "," " "," " "," " "," " ",
1025,"LBIL","E4",9999,"II ",9999.0,"CI"," " "," " "," " "," " "," " "," " "," " "," " "," " "," " ",
    
```

```

      1           1           1           1           1
      0           1           2           3           4
7890123456789012345678901234567890123456789012345678901234
Continuation of sample records:
" "," " "," " "," " "," " "," " "," " ", 1,"XQ"
" "," " "," " "," " "," " "," " "," " ", 3,"XQ"
" "," " "," " "," " "," " "," " "," " ", 4,"XQ"
    
```

