

# FCC Workshop on RFID

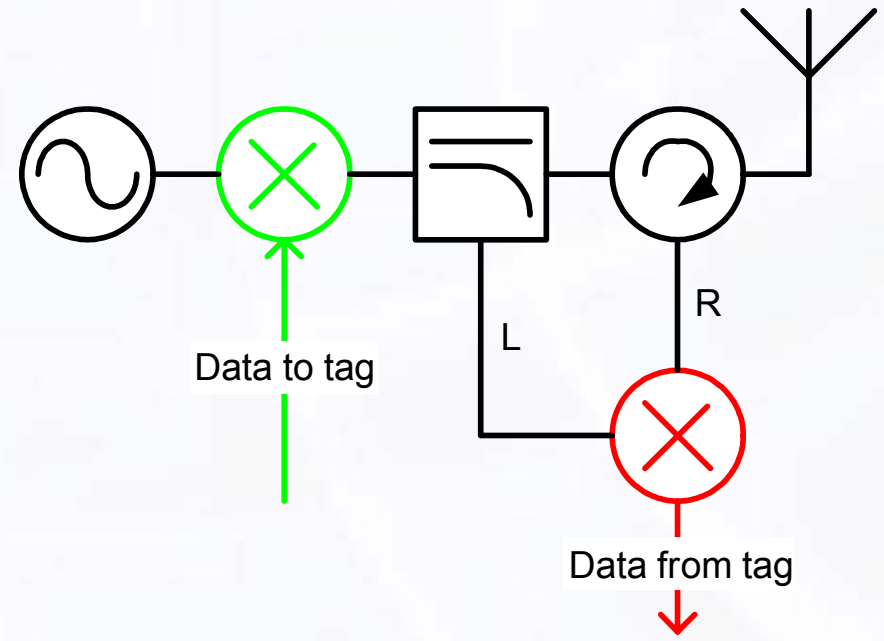
**Dr. Rene Martinez**  
***Chief Technologist***  
***Intermec Technologies, Inc.***  
***Everett, Washington***

# Intermec Technologies and RFID

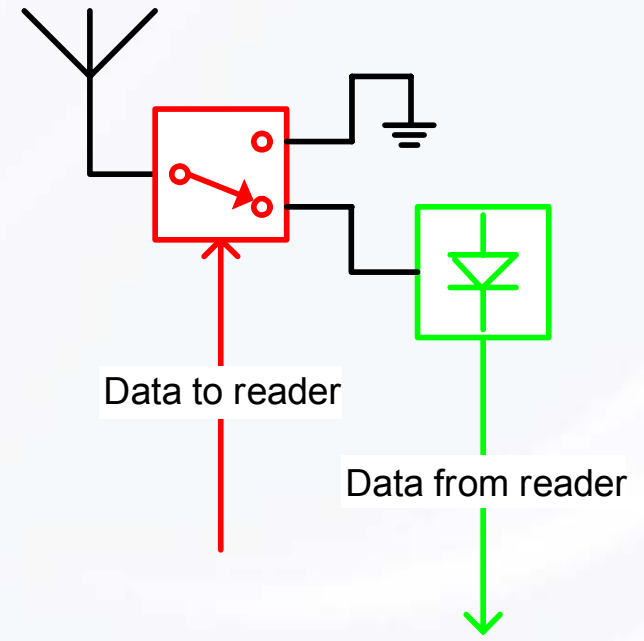
- **Division of Unova (NYSE: UNA) with annual global sales above \$700m**
- **More than 100 FCC Equipment Grants, with more than 10 Grants for RFID**
- **UHF RFID technology acquired from IBM Research in 1997**
- **First with Passive UHF RFID: FCC Part 15 Grant in 2000 and ETSI 302 208 (CEPT) in 2004**
- **Over 140 patents issued on RFID**

# Passive UHF RFID

## RFID Reader



## RFID Tag



# RFID Radio Modules and RFID Readers



# Regulations for Passive UHF RFID

Reg / Std	Freq.	Band bwd.	Channel bwd. / pwr.	Channel def.	Notes
FCC Part 15 Sect 247	902 – 928 MHz	26 MHz	500kHz / 4W eirp	20dB	
CEPT / ETSI 302 208	865.6 – 867.6 MHz	2MHz	200kHz / 2W erp	30dB (70dB@400kHz)	LBT & rcv'r test
TELEC (Japan)	950 – 956 MHz	6MHz	? / ?	?	?90dB for out of band?