

Approved by OMB

3060-0496

Edition Date: 12/2003

SUMMARY

Estimated Average Burden Hours Per Response: 139 hours

This document provides the Report Definition for FCC Report 43-08, the ARMIS Operating Data Report, and lists the company level statistical data which must be provided annually. It contains the following:

	<u>PAGE</u>
State Row Numbers and Codes - Reference Table.....	3, 4
Table I.A - Outside Plant Statistics - Cable & Wire Facilities .....	5, 6
Table I.B - Outside Plant Statistics - Other .....	6, 7
Table II - Switched Access Lines In Service.....	7, 8
Table III - Access Lines In Service By Customer .....	8, 9
Table IV - Telephone Calls.....	9
Row Instructions and Column Descriptions .....	10 - 27

To convert miles to kilometers, compute total miles, multiply by 1.6093, and then round to the nearest whole number. Internal calculations should retain, where applicable, at least 4 decimal places of accuracy; compute totals and then round to the nearest whole number before applying weighting factors. Round final results (in kilometers) to the nearest whole number, but report any non-zero entry that is less than 1 kilometer as 1 kilometer. Round the number of equivalent telephone poles to the nearest whole number. Round telephone calls and minutes to the nearest thousand, but report any non-zero entry that is less than 1 (thousand) as 1 (thousand). Report the number of access lines in whole numbers. Report all other amounts in actual units.

Items which need not be reported because they do not apply are designated by N/A. Items that are not being reported because the carrier has a waiver or has applied for a waiver are designated by I/T. All other fields must be populated. If there are no data applicable to a given field, enter zero.

When errata occur, carriers must include in the transmittal letter a brief statement indicating the reason for the errata. Other explanatory notes must be included in the footnote section of the filing.

NOTICE: The ARMIS Operating Data Report collects annual statistical data in a consistent format and is essential for the FCC to monitor network growth, usage, and reliability. Your response is mandatory.

Public reporting burden for this collection of information is estimated to average 139 hours per response, including the time for reviewing instructions, searching existing data sources, gathering and maintaining the data needed, and completing and reviewing the collection of information. Send comments regarding this burden estimate or any other aspect of this collection of information, including suggestions for reducing the burden, to the Federal Communications Commission, Office of Managing Director, Washington, DC 20554.

An agency may not conduct or sponsor and a person is not required to respond to a collection of information unless it displays a currently valid control number.

STATE ROW NUMBERS AND CODES  
REFERENCE TABLE

<u>State or Territory</u>	<u>Row Number</u>	<u>Code</u>
Alabama	0110	AL
Alaska	0120	AK
Arizona	0130	AZ
Arkansas	0140	AR
California	0150	CA
Colorado	0160	CO
Connecticut	0170	CT
Delaware	0180	DE
District of Columbia	0190	DC
Florida	0200	FL
Georgia	0210	GA
Hawaii	0220	HI
Idaho	0230	ID
Illinois	0240	IL
Indiana	0250	IN
Iowa	0260	IA
Kansas	0270	KS
Kentucky	0280	KY
Louisiana	0290	LA
Maine	0300	ME
Maryland	0310	MD
Massachusetts	0320	MA
Michigan	0330	MI
Minnesota	0340	MN
Mississippi	0350	MS
Missouri	0360	MO
Montana	0370	MT
Nebraska	0380	NE
Nevada	0390	NV
New Hampshire	0400	NH
New Jersey	0410	NJ
New Mexico	0420	NM
New York	0430	NY
North Carolina	0440	NC
North Dakota	0450	ND
Ohio	0460	OH
Oklahoma	0470	OK
Oregon	0480	OR
Pennsylvania	0490	PA

<u>State or Territory</u>	<u>Row Number</u>	<u>Code</u>
Rhode Island	0500	RI
South Carolina	0510	SC
South Dakota	0520	SD
Tennessee	0530	TN
Texas	0540	TX
Utah	0550	UT
Vermont	0560	VT
Virginia	0570	VA
Washington	0580	WA
West Virginia	0590	WV
Wisconsin	0600	WI
Wyoming	0610	WY
Northern Mariana Islands	0730	MC
Puerto Rico	0710	PR
Virgin Islands	0720	VI
Ocean Cable	0810	OC
Total	0910	TO

FCC Report 43-08  
 ARMIS OPERATING DATA REPORT

COMPANY: XXXXXXXXXXXXXXXX  
 STUDY AREA: XXXXXXXXXXXXXXXX  
 PERIOD: From mmm yyyy To mmm yyyy  
 COSA: XXXX

XXXX Version  
 Submission XXX  
 TABLE I.A  
 PAGE 1 of 3

**TABLE I.A – OUTSIDE PLANT STATISTICS—CABLE AND WIRE FACILITIES**

ROW NO.	STATE OR TERR. (a)	Code (b)	Km of Aerial Wire (c)	Aerial Cable		Underground Cable		Buried Cable	
				Sheath Km of Metallic (d)	Sheath Km of Fiber (e)	Sheath Km of Metallic (f)	Sheath Km of Fiber (g)	Sheath Km of Metallic (h)	Sheath Km of Fiber (i)

**EXAMPLE:**

0240	Illinois	IL							
0910	Total	TO							

(See State Row Numbers and Codes Reference Table for the row numbers and the state codes applicable to your filing and for the correct order in which the rows shall appear.)

\* \* \* \* \*

FCC Report 43-08  
 ARMIS OPERATING DATA REPORT

COMPANY: XXXXXXXXXXXXXXXX  
 STUDY AREA: XXXXXXXXXXXXXXXX  
 PERIOD: From mmm yyyy To mmm yyyy  
 COSA: XXXX

XXXX Version  
 Submission XXX  
 TABLE I.A  
 PAGE 2 of 3

**TABLE I.A – OUTSIDE PLANT STATISTICS—CABLE AND WIRE FACILITIES**

ROW NO.	STATE OR TERR. (a)	Code (b)	Intrabldg Network Cable		Total Cable		Km of Fiber in Cable	
			Sheath Km of Metallic (n)	Sheath Km of Fiber (o)	Sheath Km of Metallic (p)	Sheath Km of Fiber (q)	Fiber Km Equipped (Lit) (r)	Total Fiber Km Deployed (Lit & Dark) (s)

**EXAMPLE:**

0240	Illinois	IL						
0910	Total	TO						

(See State Row Numbers and Codes Reference Table for the row numbers and the state codes applicable to your filing and for the correct order in which the rows shall appear.)

FCC Report 43-08  
 ARMIS OPERATING DATA REPORT

COMPANY: XXXXXXXXXXXXXXXX  
 STUDY AREA: XXXXXXXXXXXXXXXX  
 PERIOD: From mmm yyyy To mmm yyyy  
 COSA: XXXX

XXXX Version  
 Submission XXX  
 TABLE I.A  
 PAGE 3 of 3

**TABLE I.A – OUTSIDE PLANT STATISTICS—CABLE AND WIRE FACILITIES**

ROW NO.	STATE OR TERR. (a)	Code (b)	Km of Metallic Wire in Cable (t)	Equipped Km of Tube in Coax Cable (u)	Equivalent Number of Poles (v)	Conduit System	
						Trench Km (w)	Duct Km (x)

**EXAMPLE:**

0240	Illinois	IL					
0910	Total	TO					

(See State Row Numbers and Codes Reference Table for the row numbers and the state codes applicable to your filing and for the correct order in which the rows shall appear.)

\* \* \* \* \*

FCC Report 43-08  
 ARMIS OPERATING DATA REPORT

COMPANY: XXXXXXXXXXXXXXXX  
 STUDY AREA: XXXXXXXXXXXXXXXX  
 PERIOD: From mmm yyyy To mmm yyyy  
 COSA: XXXX

XXXX Version  
 Submission XXX  
 TABLE I.B  
 PAGE 1 of 2

**TABLE I.B - OUTSIDE PLANT STATISTICS—OTHER**

ROW NO.	STATE OR TERR. (ba)	Code (bb)	Radio Relay System			
			Km of Terrestrial System (bc)	Km of One-Way Terrestrial Radio Channel (bd)	Km of Telephone Channel	
					Analog (4 kHz or Equivalent) (bf)	Digital (64 kbps or Equivalent) (bg)

**EXAMPLE:**

0240	Illinois	IL				
0910	Total	TO				

(See State Row Numbers and Codes Reference Table for the row numbers and the state codes applicable to your filing and for the correct order in which the rows shall appear.)

FCC Report 43-08  
 ARMIS OPERATING DATA REPORT

COMPANY: XXXXXXXXXXXXXXXX  
 STUDY AREA: XXXXXXXXXXXXXXXX  
 PERIOD: From mmm yyyy To mmm yyyy  
 COSA: XXXX

XXXX Version  
 Submission XXX  
 TABLE I.B  
 PAGE 2 of 2

**TABLE I.B - OUTSIDE PLANT STATISTICS—OTHER**

ROW NO.	STATE OR TERR. (ba)	Code (bb)	Total Equipped Local Loop Circuit Km		Total Equipped Interoffice Circuit Km (Cable & Microwave Systems)	
			Analog (4 kHz or Equivalent) (bh)	Digital (64 kbps or Equivalent) (bi)	Analog (4 kHz or Equivalent) (bk)	Digital (64 kbps or Equivalent) (bl)

**EXAMPLE:**

0240	Illinois	IL				
0910	Total	TO				

(See State Row Numbers and Codes Reference Table for the row numbers and the state codes applicable to your filing and for the correct order in which the rows shall appear.)

\* \* \* \* \*

FCC Report 43-08  
 ARMIS OPERATING DATA REPORT

COMPANY: XXXXXXXXXXXXXXXX  
 STUDY AREA: XXXXXXXXXXXXXXXX  
 PERIOD: From mmm yyyy To mmm yyyy  
 COSA: XXXX

XXXX Version  
 Submission XXX  
 TABLE II  
 PAGE 1 of 2

**TABLE II – SWITCHED ACCESS LINES IN SERVICE**

ROW NO.	STATE OR TERR. (ca)	Code (cb)	Main Access Lines (cc)	PBX and Centrex Trunks (cd)	Centrex Extensions (ce)	Other Switched Access Lines (ci)	Total Switched Access Lines (cj)
---------	---------------------	-----------	------------------------	-----------------------------	-------------------------	----------------------------------	----------------------------------

**EXAMPLE:**

0240	Illinois	IL					
0910	Total	TO					

(See State Row Numbers and Codes Reference Table for the row numbers and the state codes applicable to your filing and for the correct order in which the rows shall appear.)

FCC Report 43-08  
 ARMIS OPERATING DATA REPORT

COMPANY: XXXXXXXXXXXXXXXX  
 STUDY AREA: XXXXXXXXXXXXXXXX  
 PERIOD: From mmm yyyy To mmm yyyy  
 COSA: XXXX

XXXX Version  
 Submission XXX  
 TABLE II  
 PAGE 2 of 2

**TABLE II – SWITCHED ACCESS LINES IN SERVICE**

ROW NO.	STATE OR TERR. (ca)	Code (cb)	Central Office Switches Excluding Remotes (ck)	Remote Switches (cl)	Total Central Office Switches (cm)	Basic Rate ISDN Control Channels (cn)	Primary Rate ISDN Control Channels (co)
---------	---------------------	-----------	--	----------------------	------------------------------------	---------------------------------------	---

**EXAMPLE:**

0240	Illinois	IL					
0910	Total	TO					

(See State Row Numbers and Codes Reference Table for the row numbers and the state codes applicable to your filing and for the correct order in which the rows shall appear.)

\* \* \* \* \*

FCC Report 43-08  
 ARMIS OPERATING DATA REPORT

COMPANY: XXXXXXXXXXXXXXXX  
 STUDY AREA: XXXXXXXXXXXXXXXX  
 PERIOD: From mmm yyyy To mmm yyyy  
 COSA: XXXX

XXXX Version  
 Submission XXX  
 TABLE III  
 PAGE 1 of 2

**TABLE III - ACCESS LINES IN SERVICE BY CUSTOMER**

ROW NO.	STATE OR TERR. (fa)	Code (fb)	Business Switched Access Lines		Payphone Lines (fe)	Residential Switched Access Lines			Total Switched Access Lines (fi)
			Single Line (fc)	Multiline (fd)		Lifeline (ff)	Non-Lifeline		
							Primary (fg)	Non-Primary (fh)	

**EXAMPLE:**

0240	Illinois	IL							
0910	Total	TO							

(See State Row Numbers and Codes Reference Table for the row numbers and the state codes applicable to your filing and for the correct order in which the rows shall appear.)



FCC Report 43-08  
 ARMIS OPERATING DATA REPORT

COMPANY: XXXXXXXXXXXXXXXX  
 STUDY AREA: XXXXXXXXXXXXXXXX  
 PERIOD: From mmm yyyy To mmm yyyy  
 COSA: XXXX

XXXX Version  
 Submission XXX  
 TABLE III  
 PAGE 2 of 2

**TABLE III - ACCESS LINES IN SERVICE BY CUSTOMER**

ROW NO.	STATE OR TERR. (fa)	Code (fb)	Special Access Lines (Non-Switched)		Total Access Lines (Switched & Special) (fl)	Local Private Lines (fm)
			Analog (4 kHz or Equivalent) (fj)	Digital (64 kbps or Equivalent) (fk)		

**EXAMPLE:**

0240	Illinois	IL				
0910	Total	TO				

(See State Row Numbers and Codes Reference Table for the row numbers and the state codes applicable to your filing and for the correct order in which the rows shall appear.)

\* \* \* \* \*

FCC Report 43-08  
 ARMIS OPERATING DATA REPORT

COMPANY: XXXXXXXXXXXXXXXX  
 STUDY AREA: XXXXXXXXXXXXXXXX  
 PERIOD: From mmm yyyy To mmm yyyy  
 COSA: XXXX

XXXX Version  
 Submission XXX  
 TABLE IV  
 PAGE 1 of 1

**TABLE IV – TELEPHONE CALLS  
 (Amounts in Thousands)**

ROW NO.	STATE OR TERR. (ea)	Code (eb)	Local Calls (ec)	IntraLATA Toll Calls Completed (Originating) (ed)	InterLATA Toll Calls Completed (Originating)			InterLATA Billed Access Minutes (Originating & Terminating)		
					Interstate (ee)	Intrastate (ef)	Total (eg)	Interstate (eh)	Intrastate (ei)	Total (ej)

**EXAMPLE:**

0240	Illinois	IL									
0910	Total	TO									

(See State Row Numbers and Codes Reference Table for the row numbers and the state codes applicable to your filing and for the correct order in which the rows shall appear.)

## TABLE I.A - OUTSIDE PLANT STATISTICS - CABLE AND WIRE FACILITIES

## GENERAL INSTRUCTIONS

Table I.A requires the annual reporting of various cable and wire facility statistics by state as of December 31 of the calendar year covered by the report. Report all solely owned plant and the respondent's proportionate interest in jointly owned plant.

To convert miles to kilometers, compute total miles, multiply by 1.6093 and then round to the nearest whole number. Internal calculations should retain, where applicable, at least 4 decimal places of accuracy; compute totals and then round to the nearest whole number before applying weighting factors. Round final results to the nearest whole number, but report any non-zero entry that is less than 1 kilometer as 1 kilometer.

**Include footnotes in the Footnote Table liberally, especially where the reporting company perceives any ambiguities in the data provided, where procedures or internal sources associated with data preparation have changed (including data filed in compliance with revised definitions), or where required data are available only in part or on an estimated basis.**

## ROW INSTRUCTIONS

Each row represents a state, district or territory in which the reporting company has cable and wire facilities. Include only those rows with data to be reported, but complete every item in those rows. Include a row for total company data, even if there is only one state row. See the State Row Numbers and Codes Reference Table for assigned row numbers and codes and for the correct order in which the rows shall appear.

## COLUMN DESCRIPTIONS

Each column represents a category of cable and wire facilities. In columns (d) through (q) classify a cable containing only copper, coaxial, or other metallic conductors as metallic, but classify a cable containing both fiber and copper, coaxial, or other metallic conductors as fiber. In all columns include both local loop and interoffice facilities where applicable.

COLUMN

- (a) State or Territory - The name of one of the fifty U.S. states or one of the following: District of Columbia, Northern Mariana Islands, Puerto Rico, Virgin Islands, Ocean Cable, or Total.
- (b) State or Territory Code - The two-letter Postal Abbreviation for the state or territory. Use "MC" for Northern Mariana Islands, "OC" for Ocean Cable and "TO" for Total Company.

- (c) Kilometers of Aerial Wire - Bare line wire and rural and urban distribution wire included in the Aerial Wire account (Account 2431), pursuant to FCC R.A.O. Letter 6. Where applicable, multiply the distance by 2 to account for wire pairs. Include both local loop and interoffice facilities.

Aerial Cable - Cables in the Aerial Cable account (Account 2421). These cables are attached to utility poles. The cables in this environment can have metallic conductors or non-metallic fibers. Include both local loop and interoffice facilities.

- (d) Sheath Kilometers of Metallic Aerial Cable - Sheath kilometers of aerial cable with copper or other metallic conductors.
- (e) Sheath Kilometers of Fiber Aerial Cable - Sheath kilometers of aerial cable with non-metallic fibers.

Underground Cable - Cables in the Underground Cable account (Account 2422). These cables are located in conduit and manholes. The cables in this environment can have metallic conductors or non-metallic optical fibers. Include both local loop and interoffice facilities.

- (f) Sheath Kilometers of Metallic Underground Cable - Sheath kilometers of underground cable containing copper or other metallic conductors.
- (g) Sheath Kilometers of Fiber Underground Cable - Sheath kilometers of underground cable containing non-metallic fibers.

Buried Cable - Cables in the Buried Cable account (Account 2423). These cables are buried directly below the ground and not placed in conduit structure. The cables in this environment can have metallic conductors or non-metallic optical fibers. Include both local loop and interoffice facilities.

- (h) Sheath Kilometers of Metallic Buried Cable - Sheath kilometers of buried cable with copper or other metallic conductors.
- (i) Sheath Kilometers of Fiber Buried Cable - Sheath kilometers of buried cable with non-metallic fibers.

Intrabuilding Network Cable - Cables in the Intrabuilding Network Cable account (Account 2426). These cables are located on the carrier's side of the demarcation point or standard network interface inside subscribers' buildings or between buildings on one customer's same premises. Include both local loop and interoffice facilities.

- (n) Sheath Kilometers of Metallic Intrabuilding Network Cable - Sheath kilometers of intrabuilding network cable with copper or other metallic conductors.
- (o) Sheath Kilometers of Fiber Intrabuilding Network Cable - Sheath kilometers of

intrabuilding network cable with non-metallic fibers.

Total Cable - All cables, including wire, coaxial cables, and fiber. Include both local loop and interoffice facilities.

- (p) Sheath Kilometers of Total Metallic Cable - Sheath kilometers of total cable with copper or other metallic conductors. This is the sum of columns (d), (f), (h), and (n).
- (q) Sheath Kilometers of Total Fiber Cable - Sheath kilometers of total cable with non-metallic fibers. This is the sum of columns (e), (g), (i), and (o).

Kilometers of Fiber in Cable - Fiber optic cables contain thin filaments of glass or other transparent material enclosed in a protective sheath through which light beams may be transmitted. Include both local loop and interoffice facilities.

- (r) Fiber Kilometers Equipped with Electronics (Lit) - The number of kilometers of fiber that are equipped by the reporting company with electronics and ready for analog or digital transmission use (not total sheath kilometers).
- (s) Total Fiber Kilometers Deployed (Lit and Dark) - Total deployed fiber measurement calculated as the sum of the products of the numbers of optical fibers in the sheath for each cable times the associated sheath kilometers. Provide the total deployed fiber kilometers, not just the portion in service or equipped with carrier equipment.
- (t) Kilometers of Metallic Wire in Cable - The sum of the products of the numbers of copper or other metallic wires (pairs multiplied by 2) in each cable times the associated sheath kilometers. The wires must be capable of supporting telecommunications traffic (i.e., not defective). Do not include in this column any kilometers of tube in coaxial cable, which are reported instead in column (u). Include both local loop and interoffice facilities.
- (u) Equipped Kilometers of Tube in Coaxial Cable - The sum of the products of the numbers of tubes equipped with electronics in each cable times the associated coaxial sheath kilometers. Provide only the number of tube kilometers of coaxial equipped with electronics, not total sheath kilometers. Include both local loop and interoffice facilities.
- (v) Equivalent Number of Poles - The number of solely owned poles plus the sum of the products of the numbers of jointly owned poles times their ownership percentages. Where the ownership percentage is unknown, assume 50%. Do not include leased poles. Include poles used to support both local loop and interoffice facilities. Round to the nearest whole number.

Example:

<u>No. of Poles</u>	<u>% Ownership</u>	<u>Equivalent No. of Poles</u>
4	10%	0.4
8	30%	2.4
20	50%	<u>10.0</u>
		12.8 (rounded to 13)

Conduit System - Pipes in the Conduit Systems account (Account 2441). This includes conduit, whether underground, in tunnels or on bridges (which is reusable in place), through which cables are pulled. Include both local loop and interoffice facilities.

- (w) Trench Kilometers - Total length of the trenches that contain the ducts.
- (x) Duct Kilometers - The number of ducts times the trench kilometers.

## TABLE I.B - OUTSIDE PLANT STATISTICS - OTHER

## GENERAL INSTRUCTIONS

Table I.B requires the annual reporting of various outside plant statistics by state as of December 31 of the calendar year covered by the report. Report all solely owned plant and the respondent's proportionate interest in jointly owned plant.

To convert miles to kilometers, compute total miles, multiply by 1.6093 and then round to the nearest whole number. Internal calculations should retain, where applicable, at least 4 decimal places of accuracy; compute totals and then round to the nearest whole number before applying weighting factors. Round final results to the nearest whole number, but report any non-zero entry that is less than 1 kilometer as 1 kilometer.

**Include footnotes in the Footnote Table liberally, especially where the reporting company perceives any ambiguities in the data provided, where procedures or internal sources associated with data preparation have changed (including data filed in compliance with revised definitions), or where required data are available only in part or on an estimated basis.**

## DEFINITIONS

Analog Baseband – Refers to the original band of frequencies produced by an analog signal-initiating device, such as a telephone transmitter (microphone).

Digital Baseband – Refers to the originally transmitted data signal produced by a digital signal-initiating device, such as a telegraph key.

## ROW INSTRUCTIONS

Each row represents a state, district or territory in which the reporting company has outside plant facilities. Include only those rows with data to be reported, but complete every item in those rows. Include a row for total company data, even if there is only one state row. See the State Row Numbers and Codes Reference Table for assigned row numbers and codes and for the correct order in which the rows shall appear.

## COLUMN DESCRIPTIONS

Each column represents a category of cable and wire facilities. In columns (bc) through (bg) include local loop and interoffice radio facilities where applicable. In columns (bh) and (bi) include local loop facilities. In columns (bk) and (bl) include interoffice cable and microwave facilities.

COLUMN

- (ba) State or Territory - The name of one of the fifty U.S. states or one of the following: District of Columbia, Northern Mariana Islands, Puerto Rico, Virgin Islands, Ocean Cable, or Total.
- (bb) State or Territory Code - The two-letter Postal Abbreviation for the state or territory. Use "MC" for Northern Mariana Islands, "OC" for Ocean Cable and "TO" for Total Company.

Radio Relay System - Equipment that is used to transmit and receive radio waves (above 890 MHz) through space over which communications channels are provided. In columns (bc) through (bg) report the aggregate number of kilometers of system or channel, as appropriate, between the individual stations or radio-relay systems. Include both local loop and interoffice facilities where applicable. If your radio repeater or terminal location interfaces with a radio facility in another company, only include the distance from your facility to the border of your company. If two of your interconnected radio repeaters or terminal locations form a radio path that crosses the territory of another company, include the entire distance between the facilities.

- (bc) Kilometers of Terrestrial System - Total absolute distance between repeater sites making up microwave radio systems above 890 MHz. Do not include satellite systems in this total.

Kilometers of One-Way Radio Channel - Total kilometers of one-way radio channel above 890 MHz used for message, special services, video, or protection. A radio channel consists of a single one-way link using a microwave transmitter and receiver. The radio channel distance is the sum of the lengths of each one-way link associated with a transmitter-receiver pair. Where applicable, multiply the distance by 2 to account for two-way transmission.

- (bd) Kilometers of One-Way Terrestrial Radio Channel - Total km of one-way radio channel above 890 MHz used in terrestrial radio systems.

Kilometers of Telephone Channel - Number of equivalent analog or digital telephone circuit kilometers that are equipped and on radio systems above 890 MHz.

- (bf) Kilometers of Analog Telephone Channel (4 kHz or Equivalent) - Number of 4 kHz or equivalent analog telephone circuit kilometers that are equipped and on radio systems above 890 MHz. This value is the sum of the products of the number of equivalent analog circuits on each link times the length of the link.
- (bg) Kilometers of Digital Telephone Channel (64 kbps or Equivalent) - Number of 64 kbps or equivalent digital telephone circuit kilometers that are equipped and on radio systems above 890 MHz. This value is the sum of the products of the number of equivalent digital circuits on each link times the length of the link. In the case of radio systems carrying DS-1 channels for which DS-1 utilization is not known, calculate the sum of the products of

the number of DS-1's on each link times the length of the link, round the result to the nearest whole kilometer, and multiply by 24.

Total Equipped Local Loop Circuit Kilometers - Total equivalent voice-grade circuit kilometers in local loop plant.

- (bh) Equipped Local Loop Analog (4 kHz or Equivalent) Circuit Kilometers – Includes facilities for transmission of analog baseband and analog carrier on metallic cable and open wire in local loop plant. Report in equivalent 4 kHz circuit kilometers.
- (bi) Equipped Local Loop Digital (64 kbps or Equivalent) Circuit Kilometers – Includes facilities for transmission of digital baseband and digital carrier on metallic cable and fiber cable in local loop plant. Report as equivalent 64 kbps circuit kilometers. This may be calculated by summing unrounded DS-1 kilometers, rounding the total to the nearest kilometer, and multiplying the result by 24.

Total Equipped Interoffice Circuit Kilometers (Cable and Microwave Systems) - Total equivalent voice-grade circuit kilometers in interoffice plant. Include both cable and microwave facilities.

- (bk) Equipped Interoffice Analog (4 kHz or Equivalent) Circuit Kilometers - Includes facilities for transmission of analog baseband on metallic cable, analog carrier on metallic cable and on microwave radio in interoffice plant. Report in equivalent 4 kHz circuit kilometers.
- (bl) Equipped Interoffice Digital (64 kbps or Equivalent) Circuit Kilometers – Includes facilities for transmission of digital baseband and digital carrier on metallic cable, fiber cable, and microwave radio in interoffice plant. Report as equivalent 64 kbps circuit kilometers. This may be calculated by summing unrounded DS-1 kilometers, rounding the total to the nearest kilometer, and multiplying the result by 24.



## TABLE II - SWITCHED ACCESS LINES IN SERVICE

## GENERAL INSTRUCTIONS

Table II requires the annual reporting of central office switches and switched access line statistics by state as of December 31 of the calendar year covered by the report.

Report in Table II only those access lines connecting end-user customers with their end offices for switched services. Access lines are classified as analog or digital based on the type of service provided. Include 800 and 800-like access lines and employee concession lines but do **NOT** include official/company circuits in the access line counts. **Provide a footnote if this has been done differently in the past.** Do not include in Table II circuits that provide access to an interexchange carrier. Do not include in Table II any special access lines, including the closed end of WATS and FX; all special access lines or lines associated with non-switched services should be included in Table III, column (dk) or (dl).

**Include footnotes in the Footnote Table liberally, especially where the reporting company perceives any ambiguities in the data provided, where procedures or internal sources associated with data preparation have changed (including data filed in compliance with revised definitions), or where required data are available only in part or on an estimated basis.**

## ROW INSTRUCTIONS

Each row represents a state, district or territory in which the reporting company has switched access lines. Include only those rows with data to be reported, but complete every item in those rows. Include a row for total company data, even if there is only one state row. See the State Row Numbers and Codes Reference Table for assigned row numbers and codes and for the correct order in which the rows shall appear.

## COLUMN DESCRIPTIONS

Each column represents a category of switched access lines, central office switches, or ISDN control channels.

COLUMN

- (ca) State or Territory - The name of one of the fifty U.S. states or one of the following: District of Columbia, Northern Mariana Islands, Puerto Rico, Virgin Islands, or Total.
- (cb) State or Territory Code - The two-letter Postal Abbreviation for the state or territory. Use "MC" for Northern Mariana Islands and "TO" for Total Company.

- (cc) Main Access Lines - Enter the total number of (a) analog switched access lines, provided over 4 kHz or equivalent facilities, that connect to residential, single or multiline business telephones, excluding PBX Trunks, Centrex-CO lines, Centrex-CU Trunks, and Hotel/Motel LD Trunks, and (b) digital switched access lines provided over 64 kbps, 56 kbps, or ISDN B channels or other equivalent communications channels that are circuit-switched and can carry either voice or data, excluding digital access lines connecting to a customer location PBX or Centrex. Do not include resold services, which are to be included in column (ci) – Other Switched Access Lines.
- (cd) PBX and Centrex Trunks - Enter the total number of (a) analog trunks provided between the central office and a customer location PBX or Centrex, including Centrex-CU Trunks, PBX Trunks, and Hotel/Motel LD Trunks over 4 kHz or equivalent facilities, where service is provided by equipment located on customer-controlled space, and (b) 64 kbps or equivalent digital trunks terminated on a customer location PBX and/or Centrex, including Centrex-CU trunks. Do not include resold services, which are to be included in column (ci) – Other Switched Access Lines.
- (ce) Centrex Extensions - For service that is provided by equipment connecting a Centrex-CO on telephone company premises to station equipment on the customer's premises, including service provided by a digital Centrex to analog station equipment, enter the total number of analog circuits and 64 kbps or equivalent digital circuits, including ISDN-based Centrex-CO Lines. Do not include resold services, which are to be included in column (ci) – Other Switched Access Lines.
- (ci) Other Switched Access Lines - Provide, in terms of equivalent 4 kHz analog circuits or equivalent 64 kbps digital circuits, the number of other switched access lines not included in columns (cc) through (ce). Include resold telephone exchange service lines. **Use a footnote to itemize the separate categories and amounts which are included here.**
- (cj) Total Switched Access Lines - The sum of columns (cc) through (ci). This shall equal the amount reported in Table III column (fi).

Central Office Switches - Assemblies of equipment and software designed to establish connections among lines and between lines and trunks, including access tandems, local, class 5 switching machines, and any associated remote switching machines. There may be more than one switch per central office or wire center. If more than one switch is housed in a single building or structure, be sure to count each switch separately. Do not separately count each three-digit telephone number prefix as a separate switch.

- (ck) Central Office Switches Excluding Remotes - The amount in column (cm) minus the amount in column (cl) for each row.
- (cl) Remote Switches - Generally described as a switch that has no connection to the facilities network except through its host switch. The host provides the processing capabilities and certain control functions for the remote under the direction of the host central processor and controls the remote over a pair of dedicated data links. Include not only those remote switches that are equipped to operate in a stand alone fashion to be able to provide more limited service, but also those that are not so equipped.
- (cm) Total Central Office Switches - The total number of local and tandem switches. Tandem switches are used to connect local switches with local switches in other central offices, including those tandems that are designed exclusively to establish connections between trunks. This column is consistent with Row 0110, Total Switching Entities, in Table I of FCC Report 43-07, the ARMIS Infrastructure Report.

ISDN Control Channels - The packet switched channels on digital subscriber lines (16 kbps for basic rate access or 64 kbps for primary rate access) that carry signaling messages and packet-switched user data. This information should be reported in terms of actual control channels rather than in 64 kbps equivalents (as was requested for 1988 through 1990) and should not be included in the total reported in column (cj). Where ISDN services are provided, use column (cn) and (co) to show the number of 16 kbps and 64 kbps control channels. **For similar services, provide the total number of control channels and indicate the types included in a footnote.**

- (cn) Basic Rate ISDN Control Channels - The number of basic rate (16 kbps) ISDN control channels. Also include the number of control channels for similar services with a data rate lower than 16 kbps, and **indicate the types included in a footnote.**
- (co) Primary Rate ISDN Control Channels - The number of primary rate (64 kbps) ISDN control channels. Also include the number of control channels for similar services with a data rate higher than 16 kbps, and **indicate the types included in a footnote.**

## TABLE III - ACCESS LINES IN SERVICE BY CUSTOMER

## GENERAL INSTRUCTIONS

Table III requires the annual reporting of switched and special access line statistics by state as of December 31 of the calendar year covered by the report.

Report in Table III columns (fc) through (fi) only those access lines connecting end-user customers with their end offices for switched services, i.e., all equivalent 4 kHz or 64 kbps access lines included in Table II columns (cc) through (cj). Report special access lines, including the closed end of WATS and FX, that provide access to an interexchange carrier or other access customer in Table III column (fj) or column (fk).

Include 800 and 800-like access lines, resold telephone exchange service lines, and employee concession lines but do **NOT** include official/company circuits in the access line counts. **Provide a footnote if this has been done differently in the past.** Analog access lines should be reported as 4 kHz equivalents. ISDN and other digital access lines should be reported as 64 kbps equivalents. A fully equipped DS-1 line, for example, corresponds to 24 64 kbps equivalents.

**Include footnotes in the Footnote Table liberally, especially where the reporting company perceives any ambiguities in the data provided, where procedures or internal sources associated with data preparation have changed (including data filed in compliance with revised definitions), or where required data are available only in part or on an estimated basis.**

## ROW INSTRUCTIONS

Each row represents a state, district or territory in which the reporting company has access lines. Include only those rows with data to be reported, but complete every item in those rows. Include a row for total company data, even if there is only one state row. See the State Row Numbers and Codes Reference Table for assigned row numbers and codes and for the correct order in which the rows shall appear.

## COLUMN DESCRIPTIONS

Each column represents a category of switched or special access lines.

COLUMN

- (fa) State or Territory - The name of one of the fifty U.S. states or one of the following: District of Columbia, Northern Mariana Islands, Puerto Rico, Virgin Islands, or Total.
- (fb) State or Territory Code - The two-letter Postal Abbreviation for the state or territory. Use "MC" for Northern Mariana Islands and "TO" for Total Company.

Business Switched Access Lines - Total voice-grade equivalent analog or digital switched access lines to business customers.

- (fc) Single Line Business Switched Access Lines - Includes single line business access lines subject to the single line business interstate end user common line charge, pursuant to § 69.104(h), excluding company official, mobile telephone/pagers and payphone lines. Payphone lines are to be reported in column (fe) - Payphone Lines. The ratio of single line business access lines to total business access lines, as calculated from the data reported in Table III (i.e., column (fc) divided by the sum of columns (fc) and (fd)), should be consistent with the same ratio as calculated from the data reported in ARMIS Report 43-01, Table II.
- (fd) Multiline Business Switched Access Lines - Include the total of analog and digital multiline business access lines subject to the multiline business interstate end user common line charge including PBX trunks, Centrex-CU trunks, hotel/motel LD trunks and Centrex-CO lines. Payphone lines are to be reported in column (fe) - Payphone Lines. The ratio of multiline business access lines to total business access lines, as calculated from the data reported in Table III, (i.e., column (fd) divided by the sum of columns (fc) and (fd)), should be consistent with the same ratio as calculated from the data reported in ARMIS Report 43-01, Table II.
- (fe) Payphone Lines - Lines that provide payphone service, i.e., total coin (public and semi-public) lines, including customer owned pay telephones (COPT).

Residential Switched Access Lines - Total equivalent analog or digital switched access lines to residential customers. The sum of residential access lines reported in columns (ff), (fg), and (fh) should be consistent with the total of the data reported for residence lifeline and non-lifeline access lines in the ARMIS Annual Summary Report (43-01), Table II, column (bb), row 2100 plus row 2110.

- (ff) Residential Switched Access Lines - Lifeline - Total of all (a) equivalent 4 kHz analog switched access lines and (b) equivalent 64 kbps digital switched access lines as reported in Table II, that are provided to residential lifeline customers.
- (fg) Residential Switched Access Lines - Non-Lifeline - Primary - Total of all primary (a) equivalent 4 kHz analog switched access lines and (b) equivalent 64 kbps digital switched access lines as reported in Table II, that are provided to residential non-lifeline customers. *See In the Matter of Defining Primary Lines*, Report and Order & Further Notice of Proposed Rulemaking, CC Docket 97-181, FCC 99-28, released March 10, 1999.
- (fh) Residential Switched Access Lines - Non-Lifeline – Non-Primary - Total of all non-primary (a) equivalent 4 kHz analog switched access lines and (b) equivalent 64 kbps digital switched access lines as reported in Table II, that are provided to residential

non-lifeline customers. *See In the Matter of Defining Primary Lines*, Report and Order & Further Notice of Proposed Rulemaking, CC Docket 97-181, FCC 99-28, released March 10, 1999.

- (fi) Total Switched Access Lines - The sum of columns (fc) through (fh). This shall equal the amount reported in Table II column (cj).

Special Access Lines (Non-Switched) – Total special access lines connecting an end user’s premises to an interexchange carrier or other access customer point of presence. Do not include local private lines provided by the local carrier which originate and terminate within the same LATA, which are to be reported in column (fm) – Local Private Lines.. The access lines to be counted in columns (fj) and (fk) are those furnished by the reporting carrier under the provisions of the carrier’s state and interstate Special Access tariffs.

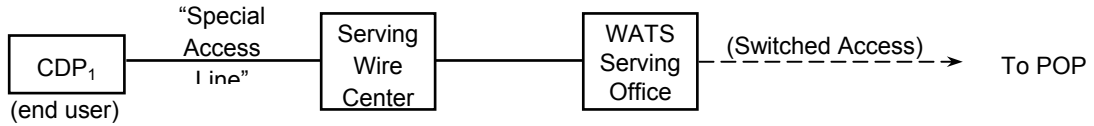
- (fj) Analog Special Access Lines (Non-Switched) (4 kHz or Equiv.) - The number of 4 kHz or equivalent analog special access lines terminated at the customer designated premises. For each 4 kHz or equivalent service configuration with only one customer designated premises, e.g., where the line connects to a WATS Serving Office, count one (1) access line. For each 4 kHz or equivalent service configuration with two or more customer designated premises locations, count one (1) access line for each customer designated premises location, and subtract one from that total—thus deducting the point-of-presence (POP) location—to obtain the correct count. **(See Figure 1, following.)**
- (fk) Digital Special Access Lines (Non-Switched) (64 kbps or Equiv.) - The number of 64 kbps or equivalent digital special access lines terminated at the customer designated premises. For each 64 kbps service configuration with only one customer designated premises, e.g., where the line connects to a WATS Serving Office, count one (1) access line. For each 64 kbps service configuration with two or more customer designated premises locations, count one (1) access line for each customer designated premises location, and subtract one from that total—thus deducting the point-of-presence (POP) location—to obtain the correct count. **(See Figure 1, following.)** Where DS-3 or DS-1 service is provided without individual 64 kbps circuit terminations, multiply the number of DS-3 terminations by 672 and the number of DS-1 terminations by 24 when calculating the value for this column. In the above calculation, only use those DS-1’s and DS-3’s for which the customer is billed. Do not double count 64 kbps circuits associated with DS-1 service where the 64 kbps circuits are customer-derived.
- (fl) Total Access Lines (Switched and Special) - The sum of columns (fi) through (fk).
- (fm) Local Private Lines - Enter the total number of local private lines. A local private line is defined as a special services circuit with either a serial number format or telephone

number format.<sup>1</sup> Local private lines include, e.g., dedicated circuits, private switching arrangements, and/or predefined transmission paths which provide communications between specific locations (e.g., point-to-point communications), as well as foreign exchange (FX) and WATS services. For multipoint private line arrangements, count one circuit **for** each segment (connection between a bridge and an end user location). Do not count Special Access Service circuits. These are counted in columns (fj) and (fk) of this table.

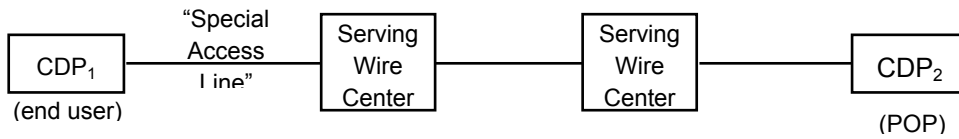
---

<sup>1</sup> Special service circuit numbering formats are described in ANSI TI.266-2000.

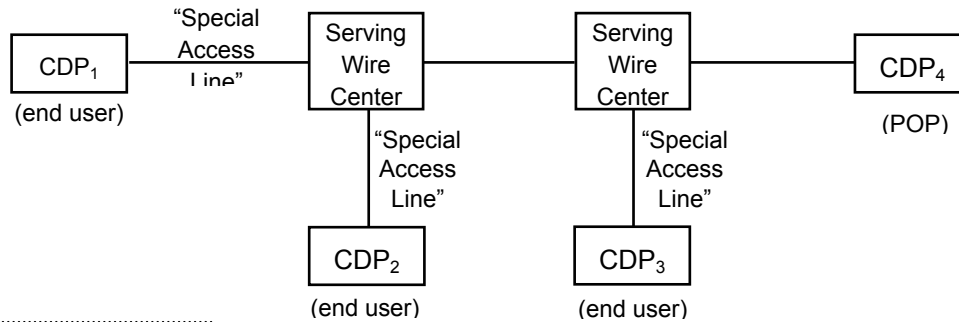
**One-point circuit: count = 1 Special Access Line**



**Two-point circuit: count = (2 – 1) = 1 Special Access Line**



**N-point circuit: count = (N – 1) = (4 – 1) = 3 Special Access Lines**



**CDP** = Customer Designated Premises, which may be either an end-user location or an interexchange carrier (IXC) or other access customer location

**POP** = point of presence of and IXC or other access customer

**Figure 1 – Special Access Line Counting Examples**



## TABLE IV - TELEPHONE CALLS

## GENERAL INSTRUCTIONS

Table IV requires the annual reporting of telephone call statistics by state for the calendar year covered by the report. Round all amounts to the nearest thousand, but report any non-zero entry that is less than 1 (thousand) as 1 (thousand).

Toll call counts should be based on originating message volumes and should reflect completed calls. Where completed call data are unavailable, estimates may be reported (e.g., the numbers shown may be based on an actual count taken periodically during the year), but **indicate the methodology and source data used in a footnote**. Billed access minutes reflect originating and terminating access minutes billed to interexchange carriers, including call set-up time, holding time, and conversation time.

**Include footnotes in the Footnote Table liberally, especially where the reporting company perceives any ambiguities in the data provided, where procedures or internal sources associated with data preparation have changed (including data filed in compliance with revised definitions), or where required data are available only in part or on an estimated basis.**

## ROW INSTRUCTIONS

Each row represents a state, district or territory in which the reporting company provides service. Include only those rows with data to be reported, but complete every item in those rows. If data are not available as to the location of all access lines by state, the data may be allocated according to the location of the central office toll center through which the calls originate. Include a row for total company data, even if there is only one state row. See the State Row Numbers and Codes Reference Table for assigned row numbers and codes and for the correct order in which the rows shall appear.

## COLUMN DESCRIPTIONS

Each column represents a category of telephone calls or minutes.

COLUMN

- (ea) State or Territory - The name of one of the fifty U.S. states or one of the following: District of Columbia, Northern Mariana Islands, Puerto Rico, Virgin Islands, or Total.
- (eb) State or Territory Code - The two-letter Postal Abbreviation for the state or territory. Use "MC" for Northern Mariana Islands and "TO" for Total Company.

- (ec) Local Calls - The number of originating calls completed or unanswered between points both of which are within the local service area of the calling telephone, or total originating calls minus total originating toll calls. Include local message unit calls and local extended area service (EAS) calls.

Toll Calls Completed - The number of completed calls directed to a point outside the local service area of the calling telephone. The number of toll calls reported should be based upon originating message volumes.

- (ed) IntraLATA Toll Calls Completed (Originating) - The number of completed toll calls carried by the reporting local operating company within a given Local Access and Transport Area (LATA). Include intraLATA-interstate and intraLATA-intrastate toll calls. Include outward calls, 800 service, directory service, dial-it services (e.g., 900 and 936 services), and optional calling plans, where applicable.

InterLATA Toll Calls Completed (Originating) - Completed calls directed to and carried by interexchange carriers.

- (ee) InterLATA-interstate Toll Calls Completed (Originating) - The number of completed interstate toll calls directed to and carried by interexchange carriers. Include outward calls, 800 service, directory service, dial-it services (e.g., 900 and 936 services), and optional calling plans. Calls should not be double counted at the originating and terminating ends.
- (ef) InterLATA-intrastate Toll Calls Completed (Originating) - The number of completed intrastate toll calls directed to and carried by interexchange carriers. Include outward calls, 800 service, directory service, dial-it services (e.g., 900 and 936 services), and optional calling plans. Calls should not be double counted at the originating and terminating ends.
- (eg) Total InterLATA Toll Calls Completed (Originating) - The sum of columns (ee) and (ef).

InterLATA Billed Access Minutes (Originating and Terminating) - The number of interLATA access minutes based on bills sent to interexchange carriers. Include total originating and terminating access minutes of use. Where these data are unavailable, a statistically valid calculation may be made based on other data. **Such a calculation must be footnoted with a description of the source data and methodology.**

- (eh) InterLATA-interstate Billed Access Minutes (Originating and Terminating) - The number of interLATA-interstate access minutes based on bills sent to interexchange carriers.

- (ei) InterLATA-intrastate Billed Access Minutes (Originating and Terminating) - The number of interLATA-intrastate access minutes based on bills sent to interexchange carriers.
- (ej) Total InterLATA Billed Access Minutes (Originating and Terminating) - The sum of columns (eh) and (ei).