

This document provides the instructions for FCC Report 43-08, the ARMIS Operating Data Report, which was adopted by the Common Carrier Bureau in Revision of ARMIS USOA Report (FCC Report 43-02) for Tier 1 Telephone Companies, 7 FCC Rcd. 1083, 1992. The instructions consist of the following five sections:

1. Reporting Procedures - details on the specific procedures to be followed when submitting this report to the Commission.
2. Report Definition - illustration of the rows and columns to be reported and their definitions.
  - a. Summary - description of the form.
  - b. Form - illustration of the rows and columns to be reported.
  - c. Row Instructions - instructions for completing the rows to be reported.
  - d. Column Descriptions - descriptions of the columns to be reported.
  - e. Certification - illustration of the certification page.
3. Automated Report Specifications - detailed automated data processing (ADP) specifications for the automated report to be filed.
4. Paper Report Specifications - specifications for the paper report to be filed.
5. COSA Code Table - list of four letter COSA codes (CO = Company, SA = Study Area).

**A. Introduction**

This document contains details on the specific procedures to be followed when submitting FCC Report 43-08, the ARMIS Operating Data Report, to the Commission.

**B. General Information**

1. FCC Report 43-08 was adopted by the Common Carrier Bureau in Revision of ARMIS USOA Report (FCC Report 43-02) for Tier 1 Telephone Companies, 7 FCC Rcd. 1083, 1992. The report is prescribed for each incumbent local exchange carrier (ILEC) with annual operating revenues for the preceding year equal to or above the indexed revenue threshold. See Order titled, Reform of Filing Requirements and Carrier Classifications; Anchorage Telephone Utility, Petition for Withdrawal of Cost Allocation Manual, CC Docket No. 96-193, FCC 97-145 (adopted April 22, 1997) and Public Notice titled Annual Adjustment of Revenue Threshold, DA 00-971 (dated May 3, 2000).
2. Affected carriers shall file by April 1 for the previous calendar year.
3. The report shall be filed on an operating company basis.
4. Carriers seeking proprietary treatment for some data must provide two versions of each paper and automated report. The Confidential Version must contain all the required information (Confidential Treatment Tables/Data Records are provided to identify confidential data). The Public Version should not include data for which the carrier is seeking proprietary treatment. The carrier should **prominently** label the paper report and the diskette containing information subject to a claim of confidentiality to prevent inadvertent disclosure.
5. Carriers not seeking proprietary treatment for any data should provide only one version of each paper report and diskette, and the paper report and diskette should be labeled the Unrestricted Version.
6. The Confidential Treatment Tables/Data Records are to be included in all reports but are not a substitute for applying for confidential treatment with this Commission following established Commission procedures.
7. Each report and diskette must be clearly labeled to include the report number, company, study area, period, COSA code, version and submission number. The report number is 43-08, which identifies the filing as the ARMIS Operating Data Report. The period identifies the year covered by the data. See the attached COSA Code Table (CO = Company, SA = Study Area) for a list of companies and their respective COSAs. The version refers to whether the filing is the Confidential, Public or Unrestricted Version. The submission number is defined as follows: submission 0 is for test data purposes only; submission 1 is the first submission of a year's data. If there is a change in the data in either the automated or the paper

report, the carrier must resubmit both. A higher number (2, 3, etc.) and a new data entry date must be used each time a change occurs to denote a new submission. The automated report and paper report submission numbers must be the same. When correcting format errors, a new submission number is not required, however, the data entry date must be changed to reflect the date of the format change.

8. Each reporting carrier must validate its data by using the most recent edit check program(s), provided by the Commission, for the reporting year. When an error is detected, the carrier must correct the error prior to submitting the report to the Commission. Once the carrier corrects its data so that the edit check program identifies no errors, the carrier should submit the ARMIS report along with a copy of the edit check printout to the Commission verifying that the program did not identify any errors.

C. **Data Items That Are “Not Available”, “Withheld” or “Irretrievable”**

1. The term “Not Available” is used below to refer only to those items which the Commission has ruled are not applicable to a particular row/column or are not required for a particular filing entity. The Confidential Version must contain values for all of the data items except those items which are “Not Available.” If, in addition to the required operating company reports, a carrier submits a report which combines data for more than one operating company, and this report includes a field such as a sum, a ratio, or a percentage that cannot be computed completely and accurately because it relies on another item which the Commission has ruled is a “Not Available” item, then that field is also considered to be “Not Available.”
2. The term “Withheld” is used below to refer only to those items for which the carrier has applied for confidential treatment with the Commission and is only applicable to the Public Version. If a field such as a sum, a ratio or a percentage relies on an item or items which have been withheld and that field is not also withheld, then it must include the withheld amount. For example, a carrier could withhold the individual values for two of three numbers which are totaled. If the carrier does not also apply for confidential treatment for the total, then that total must be the sum of all three numbers, not just the one which was not withheld. The Public Version must contain values for all of the data items except those items which are “Not Available” or those items which have been “Withheld.”
3. Items that are not being reported because the filing carrier has a waiver or has applied for a waiver are designated as “Irretrievable.”
4. See the Automated Report Specifications and the Paper Report Specifications for data entry conventions for these items.

D. **Where to File**

1. Carriers submitting FCC Report 43-08 should consult the schedule below which

details the number of copies required and the location to which those copies should be delivered.

2. Carriers are reminded that they must serve a copy of either the Unrestricted Version or the Public Version of both the paper report and the automated report (diskette) on the FCC's contractor for public records duplication.

<b>NUMBER OF COPIES FOR CARRIERS SEEKING PROPRIETARY TREATMENT</b>						
<b>Address</b>	<b>Transmittal Letter</b>	<b>Edit Check Report</b>	<b>Confidential Paper Report</b>	<b>Confidential Automated Report (Diskette)</b>	<b>Public Paper Report</b>	<b>Public Automated Report (Diskette)</b>
Federal Communications Commission Office of the Secretary 445 Twelfth Street, S.W.; TW-A325 Washington, D.C. 20554	1	—	—	—	—	—
Federal Communications Commission Reference Information Center (RIC) 445 Twelfth Street, S.W.; CY-A257 Washington, D.C. 20554	1	—	—	—	1	1
FCC Common Carrier Bureau Accounting Safeguards Division Reporting Management and Analysis Branch Attention: ARMIS 445 Twelfth Street, S.W.; 6-B201 Washington, D.C. 20554	1	1	1	1	1	1
International Transcription Service, Inc. (ITS) 1231 20th Street, N.W. Washington, D.C. 20036	1	—	—	—	1	1

<b>NUMBER OF COPIES FOR CARRIERS NOT SEEKING PROPRIETARY TREATMENT</b>				
<b>Address</b>	<b>Transmittal Letter</b>	<b>Edit Check Report</b>	<b>Unrestricted Paper Report</b>	<b>Unrestricted Automated Report (Diskette)</b>
Federal Communications Commission Office of the Secretary 445 Twelfth Street, S.W.; TW-A325 Washington, D.C. 20554	1	—	—	—
Federal Communications Commission Reference Information Center (RIC) 445 Twelfth Street, S.W.; CY-A257 Washington, D.C. 20554	1	—	1	1
FCC Common Carrier Bureau Accounting Safeguards Division Reporting Management and Analysis Branch Attention: ARMIS 445 Twelfth Street, S.W.; 6-B201 Washington, D.C. 20554	1	1	1	1
International Transcription Service, Inc. (ITS) 1231 20th Street, N.W. Washington, D.C. 20036	1	—	1	1

**E. Footnotes**

1. If any data for the current period differ materially from those for the previous period and the difference is not self-explanatory but was caused by unusual circumstances, the carrier must include detailed footnote text to explain the specific circumstances. The carrier must include an explanatory footnote for all items designated as “Irretrievable.” Certain items require accompanying footnotes and those items are specified in the appropriate section of the instructions for filing the 43-08. Such footnotes are mandatory and must be entered in the Footnote Text Records and Footnote Table.

**EXAMPLE:**

Table II, column (ci) requires the reporting carrier to itemize in a footnote the separate categories and amounts which are included there.

2. If the reporting carrier does not follow the procedures described in the row and column instructions of the attached Report Definition, it must explain any deviations from those procedures in an explanatory footnote. Such footnotes must provide detailed explanations of the procedures actually used by the carrier and its specific reasons for deviating from the procedures prescribed. This provision should not be interpreted to mean that deviations from the prescribed procedures will automatically be approved by the Commission.

EXAMPLES:

Do not say, “Data are compiled using a more inclusive process than in previous filing.”

Do say, “Data are compiled using a process that includes xxx, which was not included in previous filings. The impact of including xxx in this row inflates this number by x% over the previous reporting period.”

Do not say, “This value was not calculated pursuant to the instructions.”

Do, say “This value was calculated using the xxx method rather than the method described in the instructions because...”

Do not say, “Corrected Data.”

Do say, “\$xxxx is changed to \$xxxx because ...”.

Do not say, “Waiver” or “Waiver Granted.”

Do say, “Waiver of Part xx.xxx was granted in CC Docket No. xx-xxx, X FCC, xxxx (1992) to allow Any Company to ....because....”

3. Footnote entries must provide detailed explanations for only those items reported in the current submission. Footnotes from prior submissions should be included only if they remain applicable. In other words, when a resubmission nullifies an existing footnote, remove the footnote.
4. The footnote text must be included in the Footnote Text Records and the Footnote Table as specified in the Automated Report Specifications and the Paper Report Specifications.

F. **Errata**

1. Carriers are under a legal obligation to correct any erroneous data discovered in FCC Report 43-08. See Section B of the Reporting Procedures for use of submission numbers when an erratum occurs.
2. Submissions containing corrected data must include references to indicate which data items were corrected since the previous submission. If the data items being corrected impact other data items in the report, then those items must also be corrected and referenced. Erratum references should reflect only those items

corrected in the new submission. References from prior submissions must not be included in the new submission.

3. These references must be included in the Erratum Record(s). In addition, carriers must include in the transmittal letter, a brief statement indicating the reason for the errata.

#### G. **Certification**

1. Carriers must certify the accuracy of the data submitted in FCC Report 43-08 by including a certification statement, signed by a corporate officer, as the last page of the paper report.
2. The text of the certification statement is included in the attached Report Definition.

#### H. **Waivers**

1. If a carrier determines that it will be unable to provide data required by FCC Report 43-08, it must file an application for waiver with the Commission following established Commission procedures. All such requests from a carrier should be included in a single application. The application must demonstrate good cause for reporting a different or lower level of detail and indicate how these deficiencies will be corrected.
2. Carriers should not act upon requests for waiver until waivers are granted. It is important that carriers be aware that waivers are not in effect until they are granted, in writing, by the Commission or under delegated authority.
3. Omission of individual data items or entries, without request for waiver, is unacceptable. One reason that compliance with the full requirements is so important is that omission of any single data entry by any carrier will jeopardize the accuracy of aggregate industry information.

#### I. **Extension of Filing Time**

1. Requests for extensions of filing time must be made in a timely manner. Requests received less than 72 hours prior to a filing date are prima facie unreasonable.

#### J. **Public Information**

1. The Public or Unrestricted Versions of the paper reports filed as Report 43-08 may be examined by the public at the FCC Reference Information Center (RIC), 445 Twelfth Street, S.W., Washington, D.C. Parties should contact the RIC at (202) 418-0270.
2. Copies of the Public or Unrestricted Versions of the paper or automated reports filed as FCC Report 43-08 may be obtained from the FCC's contractor for public records

duplication, ITS. Parties should contact ITS at (202) 857-3800.

3. Copies of the detailed reporting procedures for this report may be obtained over the Internet, from the Commission's web site, at <http://www.fcc.gov/ccb/armis/>.

For further information regarding these procedures, contact:

Barbara Van Hagen  
FCC Common Carrier Bureau  
Accounting Safeguards Division  
(202) 418-0840



Approved by OMB

3060-0496

Edition Date: 12/2000

SUMMARY

Estimated Average Burden Hours Per Response: 160 hours

This document provides the Report Definition for FCC Report 43-08, the ARMIS Operating Data Report, and lists the company level statistical data which must be provided annually. It contains the following:

	<u>PAGE</u>
State Row Numbers and Codes - Reference Table .....	3, 4
Table I.A - Outside Plant Statistics - Cable & Wire Facilities .....	5 - 7
Table I.B - Outside Plant Statistics - Other .....	8, 9
Table II - Switched Access Lines In Service By Technology .....	10, 11
Table III - Access Lines In Service By Customer .....	12, 13
Table IV - Telephone Calls .....	14
Row and Column Descriptions .....	15 - 32
Certification .....	33

To convert miles to kilometers, compute total miles, multiply by 1.6093, and then round to the nearest whole number. Internal calculations should retain, where applicable, at least 4 decimal places of accuracy; compute totals and then round to the nearest whole number before applying weighting factors. Round final results (in kilometers) to the nearest whole number, but report any non-zero entry that is less than 1 kilometer as 1 kilometer. Round the number of equivalent telephone poles to the nearest whole number. Round telephone calls and minutes to the nearest thousand, but report any non-zero entry that is less than 1 (thousand) as 1 (thousand). Report the number of access lines in whole numbers. Report all other amounts in actual units.

Items which need not be reported because they do not apply are designated by N/A. Items that are not being reported because the carrier has a waiver or has applied for a waiver are designated by I/T. All other fields must be populated. If there are no data applicable to a given field, enter zero.

When errata occur, carriers must include in the transmittal letter a brief statement indicating the reason for the errata. Other explanatory notes must be included in the footnote section of the filing.

**NOTICE:** The ARMIS Operating Data Report collects annual statistical data in a consistent format and is essential for the FCC to monitor network growth, usage, and reliability. Your response is mandatory.

Public reporting burden for this collection of information is estimated to average 160 hours per response, including the time for reviewing instructions, searching existing data sources, gathering and maintaining the data needed, and completing and reviewing the collection of information. Send comments regarding this burden estimate or any other aspect of this collection of information, including suggestions for reducing the burden, to the Federal Communications Commission, Office of Managing Director, Washington, DC 20554.

An agency may not conduct or sponsor and a person is not required to respond to a collection of information unless it displays a currently valid control number.

STATE ROW NUMBERS AND CODES  
REFERENCE TABLE

<u>State or Territory</u>	<u>Row Number</u>	<u>Code</u>
Alabama	0110	AL
Alaska	0120	AK
Arizona	0130	AZ
Arkansas	0140	AR
California	0150	CA
Colorado	0160	CO
Connecticut	0170	CT
Delaware	0180	DE
District of Columbia	0190	DC
Florida	0200	FL
Georgia	0210	GA
Hawaii	0220	HI
Idaho	0230	ID
Illinois	0240	IL
Indiana	0250	IN
Iowa	0260	IA
Kansas	0270	KS
Kentucky	0280	KY
Louisiana	0290	LA
Maine	0300	ME
Maryland	0310	MD
Massachusetts	0320	MA
Michigan	0330	MI
Minnesota	0340	MN
Mississippi	0350	MS
Missouri	0360	MO
Montana	0370	MT
Nebraska	0380	NE
Nevada	0390	NV
New Hampshire	0400	NH
New Jersey	0410	NJ
New Mexico	0420	NM
New York	0430	NY
North Carolina	0440	NC
North Dakota	0450	ND
Ohio	0460	OH
Oklahoma	0470	OK
Oregon	0480	OR
Pennsylvania	0490	PA

<u>State or Territory</u>	<u>Row Number</u>	<u>Code</u>
Rhode Island	0500	RI
South Carolina	0510	SC
South Dakota	0520	SD
Tennessee	0530	TN
Texas	0540	TX
Utah	0550	UT
Vermont	0560	VT
Virginia	0570	VA
Washington	0580	WA
West Virginia	0590	WV
Wisconsin	0600	WI
Wyoming	0610	WY
Northern Mariana Islands	0730	MC
Puerto Rico	0710	PR
Virgin Islands	0720	VI
Ocean Cable	0810	OC
Total	0910	TO

FCC Report 43-08  
 ARMIS OPERATING DATA REPORT

COMPANY: XXXXXXXXXXXXXXXX  
 STUDY AREA: XXXXXXXXXXXXXXXX  
 PERIOD: From mmm yyyy To mmm yyyy  
 COSA: XXXX

XXXX Version  
 Submission XXX  
 TABLE I.A  
 PAGE 1 of 3

**TABLE I.A – OUTSIDE PLANT STATISTICS—CABLE AND WIRE FACILITIES**

ROW NO.	STATE OR TERR. (a)	Code (b)	Km of Aerial Wire (c)	Aerial Cable		Underground Cable		Buried Cable		Submarine Cable	
				Sheath Km of Metallic (d)	Sheath Km of Fiber (e)	Sheath Km of Metallic (f)	Sheath Km of Fiber (g)	Sheath Km of Metallic (h)	Sheath Km of Fiber (i)	Sheath Km of Metallic (j)	Sheath Km of Fiber (k)

EXAMPLE:

0240	Illinois	IL									
0910	Total	TO									

(See State Row Numbers and Codes Reference Table for the row numbers and the state codes applicable to your filing and for the correct order in which the rows shall appear.)

FCC Report 43-08  
 ARMIS OPERATING DATA REPORT

COMPANY: XXXXXXXXXXXXXXXX  
 STUDY AREA: XXXXXXXXXXXXXXXX  
 PERIOD: From mmm yyyy To mmm yyyy  
 COSA: XXXX

XXXX Version  
 Submission XXX  
 TABLE I.A  
 PAGE 2 of 3

**TABLE I.A – OUTSIDE PLANT STATISTICS—CABLE AND WIRE FACILITIES**

ROW NO.	STATE OR TERR. (a)	Code (b)	Deep Sea Cable		Intrabldg Network Cable		Total Cable		Km of Fiber in Cable	
			Sheath Km of Metallic (l)	Sheath Km of Fiber (m)	Sheath Km of Metallic (n)	Sheath Km of Fiber (o)	Sheath Km of Metallic (p)	Sheath Km of Fiber (q)	Fiber Km Equipped (Lit) (r)	Total Fiber Km Deployed (Lit & Dark) (s)

EXAMPLE:

0240	Illinois	IL								
0910	Total	TO								

(See State Row Numbers and Codes Reference Table for the row numbers and the state codes applicable to your filing and for the correct order in which the rows shall appear.)

FCC Report 43-08  
 ARMIS OPERATING DATA REPORT

COMPANY: XXXXXXXXXXXXXXXX  
 STUDY AREA: XXXXXXXXXXXXXXXX  
 PERIOD: From mmm yyyy To mmm yyyy  
 COSA: XXXX

XXXX Version  
 Submission XXX  
 TABLE I.A  
 PAGE 3 of 3

**TABLE I.A – OUTSIDE PLANT STATISTICS—CABLE AND WIRE FACILITIES**

ROW NO.	STATE OR TERR. (a)	Code (b)	Km of Metallic Wire in Cable (t)	Equipped Km of Tube in Coax Cable (u)	Equivalent Number of Poles (v)	Conduit System	
						Trench Km (w)	Duct Km (x)

EXAMPLE:

0240	Illinois	IL					
0910	Total	TO					

(See State Row Numbers and Codes Reference Table for the row numbers and the state codes applicable to your filing and for the correct order in which the rows shall appear.)

FCC Report 43-08  
 ARMIS OPERATING DATA REPORT

COMPANY: XXXXXXXXXXXXXXXX  
 STUDY AREA: XXXXXXXXXXXXXXXX  
 PERIOD: From mmm yyyy To mmm yyyy  
 COSA: XXXX

XXXX Version  
 Submission XXX  
 TABLE I.B  
 PAGE 1 of 2

**TABLE I.B - OUTSIDE PLANT STATISTICS—OTHER**

ROW NO.	STATE OR TERR. (ba)	Code (bb)	Radio Relay System				
			Km of Terrestrial System (bc)	Km of One-Way Radio Channel		Km of Telephone Channel	
				Km of One-Way Terrestrial Radio Channel (bd)	Terrestrial Km of One-Way Satellite Radio Channel (be)	Analog (4 kHz or Equiv.) (bf)	Digital (64 kbps or Equiv.) (bg)

EXAMPLE:

0240	Illinois	IL					
0910	Total	TO					

(See State Row Numbers and Codes Reference Table for the row numbers and the state codes applicable to your filing and for the correct order in which the rows shall appear.)



FCC Report 43-08  
 ARMIS OPERATING DATA REPORT

COMPANY: XXXXXXXXXXXXXXXX  
 STUDY AREA: XXXXXXXXXXXXXXXX  
 PERIOD: From mmm yyyy To mmm yyyy  
 COSA: XXXX

XXXX Version  
 Submission XXX  
 TABLE I.B  
 PAGE 2 of 2

**TABLE I.B - OUTSIDE PLANT STATISTICS—OTHER**

ROW NO.	STATE OR TERR. (ba)	Code (bb)	Total Equipped Local Loop Circuit Km			Total Equipped Interoffice Circuit Km (Cable and Microwave systems)		
			Analog (4 kHz or Equiv.) (bh)	Digital (64 kbps or Equiv.) (bi)	Video (bj)	Analog (4 kHz or Equiv.) (bk)	Digital (64 kbps or Equiv.) (bl)	Video (bm)

EXAMPLE:

0240	Illinois	IL						
0910	Total	TO						

(See State Row Numbers and Codes Reference Table for the row numbers and the state codes applicable to your filing and for the correct order in which the rows shall appear.)

FCC Report 43-08  
 ARMIS OPERATING DATA REPORT

COMPANY: XXXXXXXXXXXXXXXX  
 STUDY AREA: XXXXXXXXXXXXXXXX  
 PERIOD: From mmm yyyy To mmm yyyy  
 COSA: XXXX

XXXX Version  
 Submission XXX  
 TABLE II  
 PAGE 1 of 2

**TABLE II – SWITCHED ACCESS LINES IN SERVICE BY TECHNOLOGY**

ROW NO.	STATE OR TERR. (ca)	Code (cb)	Analog (4 kHz or Equiv.)			Digital (64 kbps or Equiv.)			Other Switched Access Lines (ci)	Total Switched Access Lines (cj)
			Main Access Lines (cc)	PBX and Centrex Trunks (cd)	Centrex Extensions (ce)	Main Access Lines (cf)	PBX and Centrex Trunks (cg)	Centrex Extensions (ch)		

EXAMPLE:

0240	Illinois	IL							
0910	Total	TO							

(See State Row Numbers and Codes Reference Table for the row numbers and the state codes applicable to your filing and for the correct order in which the rows shall appear.)

FCC Report 43-08  
 ARMIS OPERATING DATA REPORT

COMPANY: XXXXXXXXXXXXXXXX  
 STUDY AREA: XXXXXXXXXXXXXXXX  
 PERIOD: From mmm yyyy To mmm yyyy  
 COSA: XXXX

XXXX Version  
 Submission XXX  
 TABLE II  
 PAGE 2 of 2

**TABLE II – SWITCHED ACCESS LINES IN SERVICE BY TECHNOLOGY**

ROW NO.	STATE OR TERR. (ca)	Code (cb)	Central Office Switches Excluding Remotes (ck)	Remote Switches (cl)	Total Central Office Switches (cm)	Basic Rate ISDN Control Channels (cn)	Primary Rate ISDN Control Channels (co)
---------	---------------------	-----------	--	----------------------	------------------------------------	---------------------------------------	---

EXAMPLE:

0240	Illinois	IL					
0910	Total	TO					

(See State Row Numbers and Codes Reference Table for the row numbers and the state codes applicable to your filing and for the correct order in which the rows shall appear.)

FCC Report 43-08  
 ARMIS OPERATING DATA REPORT

COMPANY: XXXXXXXXXXXXXXXX  
 STUDY AREA: XXXXXXXXXXXXXXXX  
 PERIOD: From mmm yyyy To mmm yyyy  
 COSA: XXXX

XXXX Version  
 Submission XXX  
 TABLE III  
 PAGE 1 of 2

**TABLE III - ACCESS LINES IN SERVICE BY CUSTOMER**

ROW NO.	STATE OR TERR. (da)	Code (db)	Business Access Lines			Payphone Lines (df)	Residential Access Lines		Mobile Access Lines (di)	Total Switched Access Lines (dj)
			Analog Single Line (4 kHz or Equiv.) (dc)	Analog Multi-Line (4 kHz or Equiv.) (dd)	Digital (64 kbps or Equiv.) (de)		Analog (4 kHz or Equiv.) (dg)	Digital (64 kbps or Equiv.) (dh)		

EXAMPLE:

0240	Illinois	IL								
0910	Total	TO								

(See State Row Numbers and Codes Reference Table for the row numbers and the state codes applicable to your filing and for the correct order in which the rows shall appear.)

FCC Report 43-08  
 ARMIS OPERATING DATA REPORT

COMPANY: XXXXXXXXXXXXXXXX  
 STUDY AREA: XXXXXXXXXXXXXXXX  
 PERIOD: From mmm yyyy To mmm yyyy  
 COSA: XXXX

XXXX Version  
 Submission XXX  
 TABLE III  
 PAGE 2 of 2

**TABLE III - ACCESS LINES IN SERVICE BY CUSTOMER**

ROW NO.	STATE OR TERR. (da)	Code (db)	Special Access Lines (non-switched)		Total Access Lines (Switched & Special) (dm)
			Analog (4 kHz or Equiv.) (dk)	Digital (64 kbps or Equiv.) (dl)	

EXAMPLE:

0240	Illinois	IL			
0910	Total	TO			

(See State Row Numbers and Codes Reference Table for the row numbers and the state codes applicable to your filing and for the correct order in which the rows shall appear.)

FCC Report 43-08  
 ARMIS OPERATING DATA REPORT

COMPANY: XXXXXXXXXXXXXXXX  
 STUDY AREA: XXXXXXXXXXXXXXXX  
 PERIOD: From mmm yyyy To mmm yyyy  
 COSA: XXXX

XXXX Version  
 Submission XXX  
 TABLE IV  
 PAGE 1 of 1

**TABLE IV – TELEPHONE CALLS  
 (Amounts in Thousands)**

ROW NO.	STATE OR TERR. (ea)	Code (eb)	Local Calls (ec)	IntraLATA Toll Calls Completed (Originating) (ed)	InterLATA Toll Calls Completed (Originating)			InterLATA Billed Access Minutes (Originating and Terminating)		
					Interstate (ee)	Intrastate (ef)	Total (eg)	Interstate (eh)	Intrastate (ei)	Total (ej)

EXAMPLE:

0240	Illinois	IL								
0910	Total	TO								

(See State Row Numbers and Codes Reference Table for the row numbers and the state codes applicable to your filing and for the correct order in which the rows shall appear.)

## TABLE I.A - OUTSIDE PLANT STATISTICS - CABLE AND WIRE FACILITIES

## GENERAL INSTRUCTIONS

Table I.A requires the annual reporting of various cable and wire facility statistics by state as of December 31 of the calendar year covered by the report. Report all solely owned plant and the respondent's proportionate interest in jointly owned plant.

To convert miles to kilometers, compute total miles, multiply by 1.6093 and then round to the nearest whole number. Internal calculations should retain, where applicable, at least 4 decimal places of accuracy; compute totals and then round to the nearest whole number before applying weighting factors. Round final results to the nearest whole number, but report any non-zero entry that is less than 1 kilometer as 1 kilometer.

**Include footnotes in the Footnote Table liberally, especially where the reporting company perceives any ambiguities in the data provided, where procedures or internal sources associated with data preparation have changed (including data filed in compliance with revised definitions), or where required data are available only in part or on an estimated basis.**

## ROW INSTRUCTIONS

Each row represents a state, district or territory in which the reporting company has cable and wire facilities. Include only those rows with data to be reported, but complete every item in those rows. Include a row for total company data, even if there is only one state row. See the State Row Numbers and Codes Reference Table for assigned row numbers and codes and for the correct order in which the rows shall appear.

## COLUMN DESCRIPTIONS

Each column represents a category of cable and wire facilities. In columns (d) through (q) classify a cable containing only copper, coaxial, or other metallic conductors as metallic, but classify a cable containing both fiber and copper, coaxial, or other metallic conductors as fiber. In all columns include both local loop and interoffice facilities where applicable.

COLUMN

- (a) State or Territory - The name of one of the fifty U.S. states or one of the following: District of Columbia, Northern Mariana Islands, Puerto Rico, Virgin Islands, Ocean Cable, or Total.
- (b) State or Territory Code - The two-letter Postal Abbreviation for the state or territory. Use "MC" for Northern Mariana Islands," "OC" for Ocean Cable and "TO" for Total Company.

- (c) Kilometers of Aerial Wire - Bare line wire and rural and urban distribution wire included in the Aerial Wire account (Account 2431), pursuant to FCC R.A.O. Letter 6. Where applicable, multiply the distance by 2 to account for wire pairs. Include both local loop and interoffice facilities.

Aerial Cable - Cables in the Aerial Cable account (Account 2421). These cables are attached to utility poles. The cables in this environment can have metallic conductors or non-metallic fibers. Include both local loop and interoffice facilities.

- (d) Sheath Kilometers of Metallic Aerial Cable - Sheath kilometers of aerial cable with copper or other metallic conductors.
- (e) Sheath Kilometers of Fiber Aerial Cable - Sheath kilometers of aerial cable with non-metallic fibers.

Underground Cable - Cables in the Underground Cable account (Account 2422). These cables are located in conduit and manholes. The cables in this environment can have metallic conductors or non-metallic optical fibers. Include both local loop and interoffice facilities.

- (f) Sheath Kilometers of Metallic Underground Cable - Sheath kilometers of underground cable containing copper or other metallic conductors.
- (g) Sheath Kilometers of Fiber Underground Cable - Sheath kilometers of underground cable containing non-metallic fibers.

Buried Cable - Cables in the Buried Cable account (Account 2423). These cables are buried directly below the ground and not placed in conduit structure. The cables in this environment can have metallic conductors or non-metallic optical fibers. Include both local loop and interoffice facilities.

- (h) Sheath Kilometers of Metallic Buried Cable - Sheath kilometers of buried cable with copper or other metallic conductors.
- (i) Sheath Kilometers of Fiber Buried Cable - Sheath kilometers of buried cable with non-metallic fibers.

Submarine Cable - Cables in the Submarine Cable account (Account 2424). These cables are submerged and cross large bodies of water. Cables in this environment are laid directly on the bottom and not enclosed within a protective cover such as conduit. The cables in this environment can have transmission paths comprised of either metallic conductors or non-metallic optical fibers. Include both local loop and interoffice facilities.

- (j) Sheath Kilometers of Metallic Submarine Cable - Sheath kilometers of submarine cable with copper or other metallic conductors.



- (k) Sheath Kilometers of Fiber Submarine Cable - Sheath kilometers of submarine cable with non-metallic fibers.

Deep Sea Cable - Cables in the Deep Sea Cable account (Account 2425). These cables are designed for use in deep sea water such as the Atlantic or Pacific Ocean. Include both local loop and interoffice facilities.

- (l) Sheath Kilometers of Metallic Deep Sea Cable - Sheath kilometers of deep sea cable with copper or other metallic conductors.
- (m) Sheath Kilometers of Fiber Deep Sea Cable - Sheath kilometers of deep sea cable with non-metallic fibers.

Intrabuilding Network Cable - Cables in the Intrabuilding Network Cable account (Account 2426). These cables are located on the carrier's side of the demarcation point or standard network interface inside subscribers' buildings or between buildings on one customer's same premises. Include both local loop and interoffice facilities.

- (n) Sheath Kilometers of Metallic Intrabuilding Network Cable - Sheath kilometers of intrabuilding network cable with copper or other metallic conductors.
- (o) Sheath Kilometers of Fiber Intrabuilding Network Cable - Sheath kilometers of intrabuilding network cable with non-metallic fibers.

Total Cable - All cables, including wire, coaxial cables, and fiber. Include both local loop and interoffice facilities.

- (p) Sheath Kilometers of Total Metallic Cable - Sheath kilometers of total cable with copper or other metallic conductors. This is the sum of columns (d), (f), (h), (j), (l) and (n).
- (q) Sheath Kilometers of Total Fiber Cable - Sheath kilometers of total cable with non-metallic fibers. This is the sum of columns (e), (g), (i), (k), (m) and (o).

Kilometers of Fiber in Cable - Fiber optic cables contain thin filaments of glass or other transparent material enclosed in a protective sheath through which light beams may be transmitted. Include both local loop and interoffice facilities.

- (r) Fiber Kilometers Equipped with Electronics (Lit) - The number of kilometers of fiber that are equipped by the reporting company with electronics and ready for analog or digital transmission use (not total sheath kilometers).
- (s) Total Fiber Kilometers Deployed (Lit and Dark) - Total deployed fiber measurement calculated as the sum of the products of the numbers of optical fibers in the sheath for

each cable times the associated sheath kilometers. Provide the total deployed fiber kilometers, not just the portion in service or equipped with carrier equipment.

- (t) Kilometers of Metallic Wire in Cable - The sum of the products of the numbers of copper or other metallic wires (pairs multiplied by 2) in each cable times the associated sheath kilometers. The wires must be capable of supporting telecommunications traffic (i.e., not defective). Do not include in this column any kilometers of tube in coaxial cable, which are reported instead in column (u). Include both local loop and interoffice facilities.
- (u) Equipped Kilometers of Tube in Coaxial Cable - The sum of the products of the numbers of tubes equipped with electronics in each cable times the associated coaxial sheath kilometers. Provide only the number of tube kilometers of coaxial equipped with electronics, not total sheath kilometers. Include both local loop and interoffice facilities.
- (v) Equivalent Number of Poles - The number of solely owned poles plus the sum of the products of the numbers of jointly owned poles times their ownership percentages. Where the ownership percentage is unknown, assume 50%. Do not include leased poles. Include poles used to support both local loop and interoffice facilities. Round to the nearest whole number.

Example:

<u>No. of Poles</u>	<u>% Ownership</u>	<u>Equivalent No. of Poles</u>
4	10%	0.4
8	30%	2.4
20	50%	<u>10.0</u>
		12.8 (rounded to 13)

Conduit System - Pipes in the Conduit Systems account (Account 2441). This includes conduit, whether underground, in tunnels or on bridges (which is reusable in place), through which cables are pulled. Include both local loop and interoffice facilities.

- (w) Trench Kilometers - Total length of the trenches that contain the ducts.
- (x) Duct Kilometers - The number of ducts times the trench kilometers.

## TABLE I.B - OUTSIDE PLANT STATISTICS - OTHER

## GENERAL INSTRUCTIONS

Table I.B requires the annual reporting of various outside plant statistics by state as of December 31 of the calendar year covered by the report. Report all solely owned plant and the respondent's proportionate interest in jointly owned plant.

To convert miles to kilometers, compute total miles, multiply by 1.6093 and then round to the nearest whole number. Internal calculations should retain, where applicable, at least 4 decimal places of accuracy; compute totals and then round to the nearest whole number before applying weighting factors. Round final results to the nearest whole number, but report any non-zero entry that is less than 1 kilometer as 1 kilometer.

**Include footnotes in the Footnote Table liberally, especially where the reporting company perceives any ambiguities in the data provided, where procedures or internal sources associated with data preparation have changed (including data filed in compliance with revised definitions), or where required data are available only in part or on an estimated basis.**

## DEFINITIONS

Analog Baseband – Refers to the original band of frequencies produced by an analog signal-initiating device, such as a telephone transmitter (microphone).

Digital Baseband – Refers to the originally transmitted data signal produced by a digital signal-initiating device, such as a telegraph key.

## ROW INSTRUCTIONS

Each row represents a state, district or territory in which the reporting company has outside plant facilities. Include only those rows with data to be reported, but complete every item in those rows. Include a row for total company data, even if there is only one state row. See the State Row Numbers and Codes Reference Table for assigned row numbers and codes and for the correct order in which the rows shall appear.

## COLUMN DESCRIPTIONS

Each column represents a category of cable and wire facilities. In columns (bc) through (bg) include local loop and interoffice radio facilities where applicable. In columns (bh) through (bj) include local loop facilities. In columns (bk) through (bm) include interoffice cable and microwave facilities.

COLUMN

- (ba) State or Territory - The name of one of the fifty U.S. states or one of the following: District of Columbia, Northern Mariana Islands, Puerto Rico, Virgin Islands, Ocean Cable, or Total.
- (bb) State or Territory Code - The two-letter Postal Abbreviation for the state or territory. Use "MC" for Northern Mariana Islands, "OC" for Ocean Cable and "TO" for Total Company.

Radio Relay System - Equipment that is used to transmit and receive radio waves (above 890 MHz) through space over which communications channels are provided. In columns (bc) through (bg) report the aggregate number of kilometers of system or channel, as appropriate, between the individual stations or radio-relay systems. Include both local loop and interoffice facilities where applicable. If your radio repeater or terminal location interfaces with a radio facility in another company, only include the distance from your facility to the border of your company. If two of your interconnected radio repeaters or terminal locations form a radio path that crosses the territory of another company, include the entire distance between the facilities.

- (bc) Kilometers of Terrestrial System - Total absolute distance between repeater sites making up microwave radio systems above 890 MHz. Do not include satellite systems in this total.

Kilometers of One-Way Radio Channel - Total kilometers of one-way radio channel above 890 MHz used for message, special services, video, or protection. A radio channel consists of a single one-way link using a microwave transmitter and receiver. The radio channel distance is the sum of the lengths of each one-way link associated with a transmitter-receiver pair. Where applicable, multiply the distance by 2 to account for two-way transmission.

- (bd) Kilometers of One-Way Terrestrial Radio Channel - Total km of one-way radio channel above 890 MHz used in terrestrial radio systems.
- (be) Terrestrial Kilometers of One-Way Satellite Radio Channel - Total terrestrial kilometers of one-way radio channel above 890 MHz used in satellite radio systems, calculated as the terrestrial distance between the receiver and transmitter terminal locations.

Kilometers of Telephone Channel - Number of equivalent analog or digital telephone circuit kilometers that are equipped and on radio systems above 890 MHz.

- (bf) Kilometers of Analog Telephone Channel (4 kHz or Equivalent) - Number of 4 kHz or equivalent analog telephone circuit kilometers that are equipped and on radio systems above 890 MHz. This value is the sum of the products of the number of equivalent analog circuits on each link times the length of the link.

- (bg) Kilometers of Digital Telephone Channel (64 kbps or Equivalent) - Number of 64 kbps or equivalent digital telephone circuit kilometers that are equipped and on radio systems above 890 MHz. This value is the sum of the products of the number of equivalent digital circuits on each link times the length of the link. In the case of radio systems carrying DS-1 channels for which DS-1 utilization is not known, calculate the sum of the products of the number of DS-1's on each link times the length of the link, round the result to the nearest whole kilometer, and multiply by 24.

Total Equipped Local Loop Circuit Kilometers - Total equivalent voice-grade or video circuit kilometers in local loop plant.

- (bh) Equipped Local Loop Analog (4 kHz or Equivalent) Circuit Kilometers – Includes facilities for transmission of analog baseband and analog carrier on metallic cable and open wire in local loop plant. Report in equivalent 4 kHz circuit kilometers.
- (bi) Equipped Local Loop Digital (64 kbps or Equivalent) Circuit Kilometers – Includes facilities for transmission of digital baseband and digital carrier on metallic cable and fiber cable in local loop plant. Report as equivalent 64 kbps circuit kilometers. This may be calculated by summing unrounded DS-1 kilometers, rounding the total to the nearest kilometer, and multiplying the result by 24.
- (bj) Equipped Local Loop Video Circuit Kilometers - Kilometers of derived video channel in local loop plant.

Total Equipped Interoffice Circuit Kilometers (Cable and Microwave Systems) - Total equivalent voice-grade or video circuit kilometers in interoffice plant. Include both cable and microwave facilities.

- (bk) Equipped Interoffice Analog (4 kHz or Equivalent) Circuit Kilometers - Includes facilities for transmission of analog baseband on metallic cable, analog carrier on metallic cable and on microwave radio in interoffice plant. Report in equivalent 4 kHz circuit kilometers.
- (bl) Equipped Interoffice Digital (64 kbps or Equivalent) Circuit Kilometers – Includes facilities for transmission of digital baseband and digital carrier on metallic cable, fiber cable, and microwave radio in interoffice plant. Report as equivalent 64 kbps circuit kilometers. This may be calculated by summing unrounded DS-1 kilometers, rounding the total to the nearest kilometer, and multiplying the result by 24.
- (bm) Equipped Interoffice Video Circuit Kilometers - Kilometers of derived video channel in interoffice plant.

## TABLE II - SWITCHED ACCESS LINES IN SERVICE BY TECHNOLOGY

## GENERAL INSTRUCTIONS

Table II requires the annual reporting of central office switches and switched access line statistics by state as of December 31 of the calendar year covered by the report.

Report in Table II only those access lines connecting end-user customers with their end offices for switched services. Access lines are classified as analog or digital based on the type of service provided. Include 800 and 800-like access lines and employee concession lines but do **NOT** include official/company circuits in the access line counts. **Provide a footnote if this has been done differently in the past.** Do not include in Table II circuits that provide access to an interexchange carrier. Do not include in Table II any special access lines, including the closed end of WATS and FX; all special access lines or lines associated with non-switched services should be included in Table III, column (dk) or (dl).

**Include footnotes in the Footnote Table liberally, especially where the reporting company perceives any ambiguities in the data provided, where procedures or internal sources associated with data preparation have changed (including data filed in compliance with revised definitions), or where required data are available only in part or on an estimated basis.**

## ROW INSTRUCTIONS

Each row represents a state, district or territory in which the reporting company has switched access lines. Include only those rows with data to be reported, but complete every item in those rows. Include a row for total company data, even if there is only one state row. See the State Row Numbers and Codes Reference Table for assigned row numbers and codes and for the correct order in which the rows shall appear.

## COLUMN DESCRIPTIONS

Each column represents a category of switched access lines, central office switches, or ISDN control channels.

COLUMN

- (ca) State or Territory - The name of one of the fifty U.S. states or one of the following: District of Columbia, Northern Mariana Islands, Puerto Rico, Virgin Islands, or Total.
- (cb) State or Territory Code - The two-letter Postal Abbreviation for the state or territory. Use "MC" for Northern Mariana Islands and "TO" for Total Company.

Analog Switched Access Lines (4 kHz or Equivalent) - Switched network access lines and equivalent 4 kHz analog access circuits or trunks. This will include access lines from a digital switch if the lines themselves are not terminated at the customer's premises as digital lines.

- (cc) Main Analog Access Lines (4 kHz or Equivalent) - Total analog switched network access lines excluding PBX Trunks, Centrex-CO lines, and Centrex-CU Trunks, Hotel/Motel LD Trunks, and Multi-Line Semi-Public Lines. Provide the number of analog 4 kHz or equivalent access lines connecting to single or multiline telephones.
- (cd) Analog PBX and Centrex Trunks (4 kHz or Equivalent) - Equivalent 4 kHz analog circuits or trunks between the central office and a customer location PBX or Centrex, including Centrex-CU Trunks, PBX Trunks, Hotel/Motel LD Trunks, and Multiline Semi-Public Lines. Service is provided by equipment located on customer-controlled space.
- (ce) Analog Centrex Extensions (4 kHz or Equivalent) - Equivalent 4 kHz analog circuits connecting a Centrex-CO on telephone company premises to station equipment on the customer's premises. Service is provided by equipment on telephone company owned or leased space. Note that if a digital Centrex provides service to analog station equipment, the extensions should be classified as analog and reported in this column.

Digital Switched Access Lines (64 kbps or Equivalent) - Switched network access lines and equivalent 64 kbps (or 56 kbps) digital access circuits or trunks. To be classified as digital, the access lines must be terminated at the customer end as digital lines or be available for use by the customer as digital lines. This will not include access lines from a digital switch if the lines themselves are not terminated at the customer's premises as digital lines.

- (cf) Main Digital Access Lines (64 kbps or Equivalent) - The 64 kbps or 56 kbps or ISDN B channels or other equivalent communications channels of digital subscriber lines as defined above that are circuit switched and can carry either voice or data. Do not include access lines connecting to a customer location PBX or Centrex.
- (cg) Digital PBX and Centrex Trunks (64 kbps or Equivalent) - The number of 64 kbps or equivalent digital lines terminated on a customer location PBX and/or Centrex. Include Centrex-CU lines.
- (ch) Digital Centrex Extensions (64 kbps or Equivalent) - The number of 64 kbps or equivalent digital circuits connecting a Centrex-CO on telephone company premises to station equipment on the customer's premises, including ISDN based Centrex-CO Lines. Service is provided by equipment on telephone company owned or leased space. Note that if Centrex provides service to analog station equipment, the extensions should be classified as analog and reported instead in column (ce).

- (ci) Other Switched Access Lines - Provide, in terms of equivalent 4 kHz analog circuits or equivalent 64 kbps digital circuits, the number of other switched access lines not included in columns (cc) through (ch). **Use a footnote to itemize the separate categories and amounts which are included here.**
- (cj) Total Switched Access Lines - The sum of columns (cc) through (ci). This shall equal the amount reported in Table III column (dj).

Central Office Switches - Assemblies of equipment and software designed to establish connections among lines and between lines and trunks, including access tandems, local, class 5 switching machines, and any associated remote switching machines. There may be more than one switch per central office or wire center. If more than one switch is housed in a single building or structure, be sure to count each switch separately. Do not separately count each three-digit telephone number prefix as a separate switch.

- (ck) Central Office Switches Excluding Remotes - The amount in column (cm) minus the amount in column (cl) for each row.
- (cl) Remote Switches - Generally described as a switch that has no connection to the facilities network except through its host switch. The host provides the processing capabilities and certain control functions for the remote under the direction of the host central processor and controls the remote over a pair of dedicated data links. Include not only those remote switches that are equipped to operate in a stand alone fashion to be able to provide more limited service, but also those that are not so equipped.
- (cm) Total Central Office Switches - The total number of local and tandem switches. Tandem switches are used to connect local switches with local switches in other central offices, including those tandems that are designed exclusively to establish connections between trunks. This column is consistent with Row 0110, Total Switching Entities, in Table I of FCC Report 43-07, the ARMIS Infrastructure Report.

ISDN Control Channels - The packet switched channels on digital subscriber lines (16 kbps for basic rate access or 64 kbps for primary rate access) that carry signaling messages and packet-switched user data. This information should be reported in terms of actual control channels rather than in 64 kbps equivalents (as was requested for 1988 through 1990) and should not be included in the total reported in column (cj). Where ISDN services are provided, use column (cn) and (co) to show the number of 16 kbps and 64 kbps control channels. **For similar services, provide the total number of control channels and indicate the types included in a footnote.**

- (cn) Basic Rate ISDN Control Channels - The number of basic rate (16 kbps) ISDN control channels. Also include the number of control channels for similar services with a data rate lower than 16 kbps, and **indicate the types included in a footnote.**



- (co) Primary Rate ISDN Control Channels - The number of primary rate (64 kbps) ISDN control channels. Also include the number of control channels for similar services with a data rate higher than 16 kbps, and **indicate the types included in a footnote.**

## TABLE III - ACCESS LINES IN SERVICE BY CUSTOMER

## GENERAL INSTRUCTIONS

Table III requires the annual reporting of switched and special access line statistics by state as of December 31 of the calendar year covered by the report.

Report in Table III columns (dc) through (dj) only those access lines connecting end-user customers with their end offices for switched services, i.e., all equivalent 4 kHz or 64 kbps access lines included in Table II columns (cc) through (cj). Report special access lines, including the closed end of WATS and FX, that provide access to an interexchange carrier in Table III column (dk) or column (dl).

Include 800 and 800-like access lines and employee concession lines but do **NOT** include official/company circuits in the access line counts. **Provide a footnote if this has been done differently in the past.** Analog access lines should be reported as 4 kHz equivalents. ISDN and other digital access lines should be reported as 64 kbps equivalents. A fully equipped DS-1 line, for example, corresponds to 24 64 kbps equivalents.

**Include footnotes in the Footnote Table liberally, especially where the reporting company perceives any ambiguities in the data provided, where procedures or internal sources associated with data preparation have changed (including data filed in compliance with revised definitions), or where required data are available only in part or on an estimated basis.**

## ROW INSTRUCTIONS

Each row represents a state, district or territory in which the reporting company has access lines. Include only those rows with data to be reported, but complete every item in those rows. Include a row for total company data, even if there is only one state row. See the State Row Numbers and Codes Reference Table for assigned row numbers and codes and for the correct order in which the rows shall appear.

## COLUMN DESCRIPTIONS

Each column represents a category of switched or special access lines.

COLUMN

- (da) State or Territory - The name of one of the fifty U.S. states or one of the following: District of Columbia, Northern Mariana Islands, Puerto Rico, Virgin Islands, or Total.
- (db) State or Territory Code - The two-letter Postal Abbreviation for the state or territory. Use "MC" for Northern Mariana Islands and "TO" for Total Company.

Business Access Lines - Total voice-grade equivalent analog or digital switched access lines to business customers.

- (dc) Analog Single Line Business Access Lines (4 kHz or Equiv.) - Includes single line business access lines subject to the single line business interstate end user common line charge, pursuant to § 69.104(h), excluding company official, mobile telephone/pagers and payphone lines. Payphone lines are to be reported in column (df) - Payphone lines. Do not include in this column any equivalent 64 kbps digital access lines reported in Table II. The ratio of single line business access lines to total business access lines, as calculated from the data reported in Table III (i.e., col. (dc) divided by the sum of cols. (dc), (dd), and (de)), should be consistent with the same ratio as calculated from the data reported in ARMIS Report 43-01, Table II.
- (dd) Analog Multiline Business Access Lines (4 kHz or Equiv.) - Include the total of analog multiline business access lines subject to the multiline business interstate end user common line charge including PBX trunks, Centrex-CU trunks, hotel/motel LD trunks and Centrex-CO lines. Payphone lines are to be reported in column (df) - Payphone Lines. Do not include in this column any equivalent 64 kbps digital access lines reported in Table II. The ratio of multiline business access lines to total business access lines, as calculated from the data reported in Table III, (i.e., the sum of cols. (dd) and (de) divided by the sum of cols. (dc), (dd), and (de)), should be consistent with the same ratio as calculated from the data reported in ARMIS Report 43-01, Table II.
- (de) Digital Business Access Lines (64 kbps or Equiv.) - Include in this column all equivalent 64 kbps digital business access lines as reported in Table II. Payphone lines are to be reported in column (df) - Payphone Lines.
- (df) Payphone Lines - Lines that provide payphone service, i.e., total coin (public and semi-public) lines, including customer owned pay telephones (COPT).

Residential Access Lines - Total equivalent analog or digital switched access lines to residential customers. The total residential access lines reported in columns (dg) and (dh) should be consistent with the total of the data reported for residence lifeline and non-lifeline access lines in the ARMIS Annual Summary Report (43-01), Table II, column (bb), row 2100 plus row 2110.

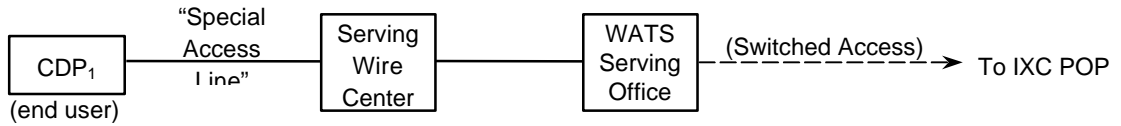
- (dg) Analog Residential Access Lines (4 kHz or Equiv.) - Total equivalent 4 kHz analog switched access lines to residential customers. Do not include in this column any equivalent 64 kbps digital access lines reported in Table II.
- (dh) Digital Residential Access Lines (64 kbps or Equiv.) - Include in this column all equivalent 64 kbps digital residential access lines as reported in Table II.

- (di) Mobile Access Lines - Access lines to a common carrier base station using mobile radio.
- (dj) Total Switched Access Lines - The sum of columns (dc) through (di). This shall equal the amount reported in Table II column (cj).

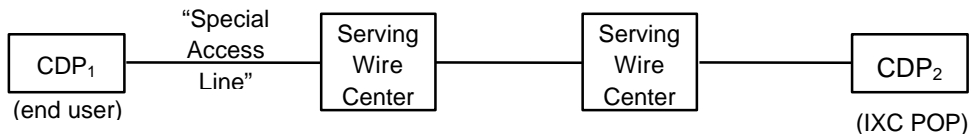
Special Access Lines (Non-Switched) – Total special access lines connecting an end user’s premises to an interexchange carrier point of presence. Do not include local private lines provided by the local carrier which originate and terminate within the same LATA. The access lines to be counted in Table III, Columns (dk) and (dl) are those furnished by the reporting carrier under the provisions of the carrier’s state and interstate Special Access tariffs.

- (dk) Analog Special Access Lines (Non-Switched) (4 kHz or Equiv.) - The number of 4 kHz or equivalent analog special access lines terminated at the customer designated premises. For each 4 kHz or equivalent service configuration with only one customer designated premises, e.g., where the line connects to a WATS Serving Office, count one (1) access line. For each 4 kHz or equivalent service configuration with two or more customer designated premises locations, count one (1) access line for each customer designated premises location, and subtract one from that total—thus deducting the IXC point-of-presence location—to obtain the correct count. **(See Figure 1, following.)**
- (dl) Digital Special Access Lines (Non-Switched) (64 kbps or Equiv.) - The number of 64 kbps or equivalent digital special access lines terminated at the customer designated premises. For each 64 kbps service configuration with only one customer designated premises, e.g., where the line connects to a WATS Serving Office, count one (1) access line. For each 64 kbps service configuration with two or more customer designated premises locations, count one (1) access line for each customer designated premises location, and subtract one from that total—thus deducting the IXC point-of-presence location—to obtain the correct count. **(See Figure 1, following.)** Where DS-3 or DS-1 service is provided without individual 64 kbps circuit terminations, multiply the number of DS-3 terminations by 672 and the number of DS-1 terminations by 24 when calculating the value for this column. In the above calculation, only use those DS-1’s and DS-3’s for which the customer is billed. Do not double count 64 kbps circuits associated with DS-1 service where the 64 kbps circuits are customer-derived.
- (dm) Total Access Lines (Switched and Special) - The sum of columns (dj) through (dl).

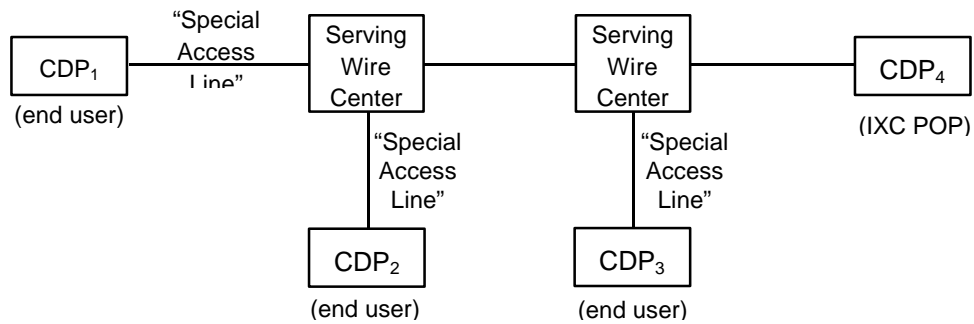
**One-point circuit: count = 1 Special Access Line**



**Two-point circuit: count = (2 – 1) = 1 Special Access Line**



**N-point circuit: count = (N – 1) = (4 – 1) = 3 Special Access Lines**



**CDP** = Customer Designated Premises, which may be either an end-user location or an interexchange carrier (IXC) location

**POP** = point of presence

**Figure 1 – Special Access Line Counting**

## TABLE IV - TELEPHONE CALLS

## GENERAL INSTRUCTIONS

Table IV requires the annual reporting of telephone call statistics by state for the calendar year covered by the report. Round all amounts to the nearest thousand, but report any non-zero entry that is less than 1 (thousand) as 1 (thousand).

Toll call counts should be based on originating message volumes and should reflect completed calls. Where completed call data are unavailable, estimates may be reported (e.g., the numbers shown may be based on an actual count taken periodically during the year), but **indicate the methodology and source data used in a footnote**. Billed access minutes reflect originating and terminating access minutes billed to interexchange carriers, including call set-up time, holding time, and conversation time.

**Include footnotes in the Footnote Table liberally, especially where the reporting company perceives any ambiguities in the data provided, where procedures or internal sources associated with data preparation have changed (including data filed in compliance with revised definitions), or where required data are available only in part or on an estimated basis.**

## ROW INSTRUCTIONS

Each row represents a state, district or territory in which the reporting company provides service. Include only those rows with data to be reported, but complete every item in those rows. If data are not available as to the location of all access lines by state, the data may be allocated according to the location of the central office toll center through which the calls originate. Include a row for total company data, even if there is only one state row. See the State Row Numbers and Codes Reference Table for assigned row numbers and codes and for the correct order in which the rows shall appear.

## COLUMN DESCRIPTIONS

Each column represents a category of telephone calls or minutes.

COLUMN

- (ea) State or Territory - The name of one of the fifty U.S. states or one of the following: District of Columbia, Northern Mariana Islands, Puerto Rico, Virgin Islands, or Total.
- (eb) State or Territory Code - The two-letter Postal Abbreviation for the state or territory. Use "MC" for Northern Mariana Islands and "TO" for Total Company.

- (ec) Local Calls - The number of originating calls completed or unanswered between points both of which are within the local service area of the calling telephone, or total originating calls minus total originating toll calls. Include local message unit calls and local extended area service (EAS) calls.

Toll Calls Completed - The number of completed calls directed to a point outside the local service area of the calling telephone. The number of toll calls reported should be based upon originating message volumes.

- (ed) IntraLATA Toll Calls Completed (Originating) - The number of completed toll calls carried by the reporting local operating company within a given Local Access and Transport Area (LATA). Include intraLATA-interstate and intraLATA-intrastate toll calls. Include outward calls, 800 service, directory service, dial-it services (e.g., 900 and 936 services), and optional calling plans, where applicable.

InterLATA Toll Calls Completed (Originating) - Completed calls directed to and carried by interexchange carriers.

- (ee) InterLATA-interstate Toll Calls Completed (Originating) - The number of completed interstate toll calls directed to and carried by interexchange carriers. Include outward calls, 800 service, directory service, dial-it services (e.g., 900 and 936 services), and optional calling plans. Calls should not be double counted at the originating and terminating ends.
- (ef) InterLATA-intrastate Toll Calls Completed (Originating) - The number of completed intrastate toll calls directed to and carried by interexchange carriers. Include outward calls, 800 service, directory service, dial-it services (e.g., 900 and 936 services), and optional calling plans. Calls should not be double counted at the originating and terminating ends.
- (eg) Total InterLATA Toll Calls Completed (Originating) - The sum of columns (ee) and (ef).

InterLATA Billed Access Minutes (Originating and Terminating) - The number of interLATA access minutes based on bills sent to interexchange carriers. Include total originating and terminating access minutes of use. Where these data are unavailable, a statistically valid calculation may be made based on other data. **Such a calculation must be footnoted with a description of the source data and methodology.**

- (eh) InterLATA-interstate Billed Access Minutes (Originating and Terminating) - The number of interLATA-interstate access minutes based on bills sent to interexchange carriers.

- (ei) InterLATA-intrastate Billed Access Minutes (Originating and Terminating) - The number of interLATA-intrastate access minutes based on bills sent to interexchange carriers.
- (ej) Total InterLATA Billed Access Minutes (Originating and Terminating) - The sum of columns (eh) and (ei).



CERTIFICATION

I certify that I am an officer of \_\_\_\_\_ ;  
that I have examined the foregoing report \_\_\_\_\_ and that to the best of my knowledge, information,  
and belief, all statements of fact contained in this report are true and that said report is an accurate  
statement of the affairs of the above named respondent in respect to the data set forth herein for the  
period from \_\_\_\_\_ to \_\_\_\_\_.

PRINTED NAME \_\_\_\_\_

POSITION \_\_\_\_\_

SIGNATURE \_\_\_\_\_

DATE \_\_\_\_\_

(Persons making willful false statements in this report form can be punished by fine or imprisonment under the Communications Act, 47 U.S.C. 220(e).)

CONTACT PERSON \_\_\_\_\_

TELEPHONE NUMBER \_\_\_\_\_

## A. Introduction

This document contains the detailed automated data processing (ADP) specifications for the automated report to be filed as FCC Report 43-08, the ARMIS Operating Data Report.

## B. General Format and Media

1. All data must be submitted on 3.5-inch, high-density IBM-PC compatible diskettes. Each diskette must have a label that displays the report number, the company name, the COSA(s), the reporting period, the version, the submission number, and the date data was submitted to the FCC. Additionally, the label must be placed on the diskette so that it is readable with the metal plate facing down. See page 7 for sample diskette label.
2. All files must be coded in ASCII.
3. See sections B and C on pages 1 and 2 of the Reporting Procedures for a discussion of the Confidential Version, the Public Version, and the Unrestricted Version of this report and for a definition and discussion of data items that are "Not Available," "Withheld" or "Irretrievable."
4. The file name for each file has six components:
  - a. the four letter COSA code (CO = Company, SA = Study Area, see the COSA Code Table for a list of companies and their respective COSAs).
  - b. the last two digits of the year which is covered by the data.
  - c. the letters "OD".
  - d. a decimal point.
  - e. the letter "P", "C", or "U" to indicate whether this is the Public version, the Confidential version, or the Unrestricted version.
  - f. two digits (zero filled) for the submission number: Submission 00 is for test data purposes only; Submission 01 is for the first submission of a year's data. If there is a change in the data in either the automated or paper report, the carrier must resubmit both. A higher number (2, 3, etc.) and a new data entry date must be used each time a change occurs to denote a new submission. The automated and paper report submission numbers must be the same. When correcting format errors, a new submission number is not required, however, the data entry date must be changed to reflect the date of the format change.

For example, the file name for the Unrestricted Version of the initial Operating Data Report data file to be submitted by Illinois Bell to cover the calendar year 2000, would be LBIL00OD.U01:

LBIL	COSA for Illinois Bell
00	Data for calendar year 2000
OD	Operating Data Report data file
.	Decimal point
U	Unrestricted version
01	First submission of this year's data

5. A separate file must be prepared for each report. More than one file can be placed on the same diskette, as long as they cover the same period and version (different submission numbers are allowed).

C. Data Entry Conventions

1. Give each record a unique record number, beginning with 1001 and incrementing by one, with no numbers skipped.
2. Begin each data record in column 1 and make each record the proper length as specified in the record layouts. Commas are used as delimiters between fields. All numeric fields are right justified and space filled, e.g. use  123, NOT 123. All non-numeric fields are enclosed in double quotation marks and are left justified and space filled within these quotation marks, e.g. use "John Doe ".
3. If an entry is to be a subtraction, indicate so by placing a minus sign in the column, immediately preceding the numeric data, e.g., use -4, NOT - 4 or (4).
4. Do NOT include "\$", "%", embedded commas, decimal points, quotes or other formatting characters in any numeric data fields, except for row numbers and percentage fields, which will include a decimal point but not a percent sign.
5. In any numeric data field designated by N/A, enter -99999. If a "public Version" diskette is filed, enter -88888 in any numeric data field for which data are "Withheld" to indicate that confidential treatment as been requested. **DO NOT** override N/As. If a filing carrier has a waiver applicable to a certain field, treat the data in that field as "Irretrievable" and enter -77777. Carriers must footnote the reason for that entry (including a cite to the waiver and a note as to its duration). Filing carriers are NOT permitted to enter additional designators. These entries must be formatted according to the format rules for the particular data field; e.g., -99999 is entered as -99999.00 in the percentage fields.
6. If a reporting carrier wishes to apply data to a field containing an N/A, the carrier should enter as a footnote to the field, the amount(s) and an explanation. The amount(s) must not be entered in the N/A'd field. If there are no data applicable to an open field, enter zero.

D. Rounding Conventions

1. To convert miles to kilometers, compute total miles, multiply by 1.6093, and then round to the nearest whole number.
2. Internal calculations should retain, where applicable, at least 4 decimal places of accuracy; compute totals and then round to the nearest whole number before applying weighting factors.
3. Round final results (in kilometers) to the nearest whole number, but report any non-zero entry that is less than 1 kilometer as 1 kilometer.
4. Round the number of equivalent telephone poles to the nearest whole number.
5. Round telephone calls and minutes to the nearest thousand, but report any non-zero entry that is less than 1 (thousand) as 1 (thousand).
6. Report all other amounts in actual units.

E. Footnotes

1. If any data for the current period differs materially from those for the previous period and the difference is not self-explanatory but was caused by unusual circumstances, then include detailed footnote text to explain the specific circumstances. Certain items require accompanying footnotes and those items are specified in the appropriate section of the instructions for filing the 43-08. Such footnotes are mandatory and must be entered in the Footnote Records of the automated report.
2. If the reporting carrier does not follow the procedures described in the row and column instructions of the Report Definition, it must explain any deviations from those procedures in an explanatory footnote. Such footnotes must provide detailed explanations of the procedures actually used by the carrier and its specific reasons for deviating from the procedures prescribed by the Commission Rules. This provision should not be interpreted to mean that deviations from the prescribed rules will automatically be approved by the Commission. See Section E of the Reporting Procedures for examples of valid footnotes.
3. Footnote entries must provide detailed explanations for only those items reported in the current submission. Footnotes from prior submissions should be included only if they remain applicable. In other words, when a resubmission nullifies an existing footnote, remove the footnote.
4. Footnotes must be included in the footnote text record(s) of the automated report.

#### F. Errata

1. Carriers are under a legal obligation to correct any erroneous data discovered in FCC Report 43-08. See Section B of the Reporting Procedures for use of submission numbers when an erratum occurs.
2. Submissions containing corrected data must include references to indicate which data items were corrected since the previous submission. If the data items being corrected impact other data items in the report, then those items must also be corrected and referenced. Erratum references should reflect only those items corrected in the new submission. References from prior submissions must not be included in the new submission.
3. These references must be included in the Erratum Record(s). In addition, carriers must include in the transmittal letter, a brief statement indicating the reason for the errata.

#### G. Data Validation Programs

1. Each reporting carrier must validate its data by using the most recent edit check program(s), provided by the Commission, for the reporting year. When an error is detected, the carrier must correct the error prior to submitting the report to the Commission. Once the carrier corrects its data so that the edit check program identifies no errors, the carrier should submit the ARMIS report along with a copy of the edit check printout to the Commission verifying that the program did not identify any errors.

#### H. Data Record Descriptions

The eleven data record types are described below. See pages 8 through 31 for record layouts. The automated file will consist of the following record types:

1. Record Type H1 - Header Record  
One Type H1 record per file. The first record of each file. Contains identifying data. See page 8 for record layout.
2. Record Type L2 - Label Record  
One Type L2 record per file. The second record of each file. Contains report number, carrier classification, carrier name, study area name, etc. See page 9 for record layout.
3. Record Type K1 - (Table I.A) Outside Plant Statistics-Cable and Wire Facilities Data Record  
One Type K1 record for each row with data to be reported. Include one K1 record for total company data, even if there is only one state row, as shown on pages 5 - 7 of the Report Definition. Each record represents a state, district, or territory in

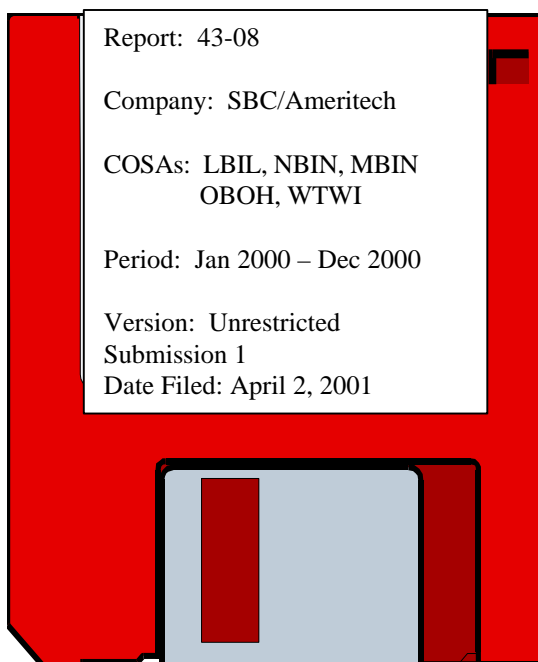
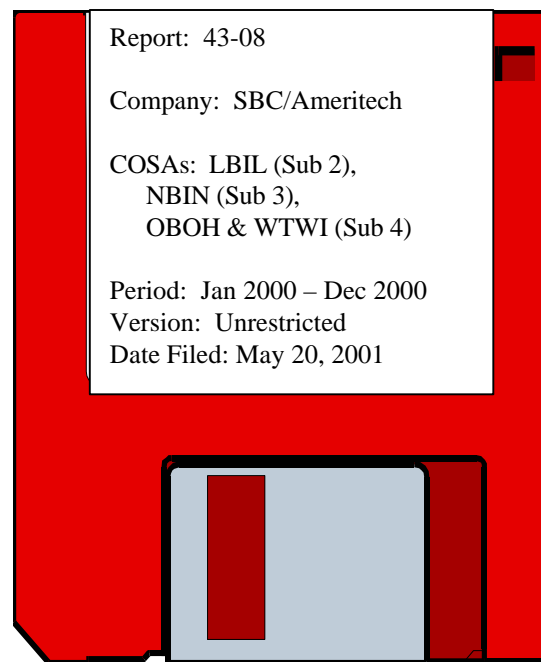
which the reporting company has cable and wire facilities. See pages 10 – 13 for record layout.

4. Record Type S1 - (Table I.B) Outside Plant Statistics-Other Data Record  
One Type S1 record for each row with data to be reported. Include one S1 record for total company data, even if there is only one state row, as shown on pages 8 & 9 of the Report Definition. Each record represents a state, district, or territory in which the reporting company has outside plant facilities. See pages 14 – 16 for record layout.
5. Record Type N1 - (Table II) Switched Access Lines In Service By Technology Data Record  
One Type N1 record for each row with data to be reported. Include one N1 record for total company data, even if there is only one state row, as shown on pages 10 & 11 of the Report Definition. Each record represents a state, district, or territory in which the reporting company has switched access lines. See pages 17 – 19 for record layout.
6. Record Type A1 - (Table III) Access Lines In Service By Customer Data Record  
One Type A1 record for each row with data to be reported. Include one A1 record for total company data, even if there is only one state row, as shown on pages 12 & 13 of the Report Definition. Each record represents a state, district, or territory in which the reporting company has access lines. See pages 20 – 22 for record layout.
7. Record Type P1 - (Table IV) Telephone Calls Data Record  
One Type P1 record for each row with data to be reported. Include one P1 record for total company data, even if there is only one state row, as shown on page 14 of the Report Definition. Each record represents a state, district, or territory in which the reporting company provides service. See pages 23 & 24 for record layout.
8. Record Type C3 - Confidential Treatment Record  
Optional. Zero or more Type C3 records per file. Contains information to identify the data for which the carrier is seeking confidential treatment. See pages 25 & 26 for record layout.
9. Record Type F3 - Footnote Record  
Optional. Zero or more Type F3 records per file. Contains explanatory footnote text. Certain items require accompanying mandatory footnotes and those items are specified in the appropriate section of the instructions for filing the 43-08. See pages 27 & 28 for record layout.

10. Record Type E4 - Erratum Record  
Zero Type E4 records in the first submission of a year's data. One or more Type E4 records per file in revisions filed to correct that year's submission. Each time an erratum occurs, a carrier must use a new submission number. The same submission number must be used for the automated report and the paper report. Contains information to identify the data which was corrected in the submission. See pages 29 & 30 for record layout.
  
11. Record Type T1 - Trailer Record  
One Type T1 record per file. The last record of each file. Contains contact person, etc. See page 31 for record layout.

**SAMPLE DISKETTE AND LABEL**

Each diskette must have a label that displays the report number, the company name, the COSA(s), the reporting period, the version, the submission number, and the date data was submitted to the FCC. Additionally, the label must be placed on the diskette so that it is readable with the metal plate facing down.

**Sample 1: COSAs with the same submission number****Sample 2: COSAs with different submissions numbers**



RECORD TYPE H1 - HEADER RECORD

<u>Field</u>	<u>Item</u>	<u>Example</u>	<u>Position</u>	<u>Description</u>
1	Record Number	1001	1 – 4	The sequential number of this record within this data file plus 1000. Format: Right justified and space filled.
2	COSA	"LBIL"	6 – 11	The COSA code for the filing entity. Format: Include quotation marks.
3	Record Type	"H1"	13 – 16	Always contains the letter H capitalized and the number 1 with no space between them. Format: Include quotation marks.
4	File Name	"LBIL00OD.U01"	18 – 31	The name of the ASCII file. Format: See page 1, paragraph B.4. Include quotation marks.
5	Year	2000	33 – 36	The year covered by the data.
6	Quarter #	0	38	Always contains the number 0 since this is an annual data file.
7	Data Entry Date	20010315	40 – 47	The date on which the data were last entered or revised. Format: YYYYMMDD.
8	Version	"U"	49 – 51	The version letter U capitalized for Unrestricted. Format: Include quotation marks.
9	Submission #	01	53 – 54	00 for test data purposes only; 01 for first submission of a year's data. Higher numbers (02, 03, etc.) are used each time a change occurs to denote a new submission. The same submission number must be used for the automated and paper reports. Format: Right justified.
10	End of Record Code	"XQ"	56 – 59	Always contains the letters XQ capitalized with no space between them to indicate the end of the record. Format: Include quotation marks.

Note: All fields are separated by commas.

---

1            2            3            4            5

12345678901234567890123456789012345678901234567890123456789

Sample record:

1001,"LBIL","H1","LBIL00OD.U01",2000,0,20010315,"U",01,"XQ"

RECORD TYPE L2 - LABEL RECORD

<u>Field</u>	<u>Item</u>	<u>Example</u>	<u>Position</u>	<u>Description</u>
1	Record Number	1002	1 – 4	The sequential number of this record within this data file plus 1000. Format: Right justified and space filled.
2	COSA	"LBIL"	6 – 11	The COSA code for the filing entity. Format: Include quotation marks.
3	Record Type	"L2"	13 – 16	Always contains the letter L capitalized and the number 2 with no space between them. Format: Include quotation marks.
4	Report Number	"FCC REPORT 43-08"	18 – 35	Always contains "FCC REPORT 43-08" capitalized. Format: Include quotation marks.
5	Account Filing Level	"A"	37 – 39	Account filing level (Class A or B) capitalized. Format: Include quotation marks.
6	Carrier	"Illinois Bell " (spaces until pos. 70)	41 - 71	Name of the carrier. Format: Left justified and space filled. Include quotation marks.
7	Study Area	"Illinois "	73 - 95	Name of the study area. Format: Left justified and space filled. Include quotation marks.
8	Period Covered	"Jan 2000 to Dec 2000"	97 – 118	Period covered by the data. Format: "mmm yyyy to mmm yyyy" Include quotation marks.
9	End of Record Code	"XQ"	120 – 123	Always contains the letters XQ capitalized with no space between them to indicate the end of the record. Format: Include quotation marks.

Note: All fields are separated by commas.

---

1 2 3 4 5 6 7 8 9  
 1234567890123456789012345678901234567890123456789012345678901234567890123456789012345  
 Sample record:  
 1002,"LBIL","L2","FCC REPORT 43-05","A","Illinois Bell ", "Illinois "

---

1 1 1  
 0 1 2  
6789012345678901234567890123  
 Continuation of sample record:  
 ,"Jan 2000 to Dec 2000","XQ"

RECORD TYPE K1 - OUTSIDE PLANT STATISTICS-CABLE AND WIRE FACILITIES DATA RECORD

<u>Field</u>	<u>Item</u>	<u>Example</u>	<u>Position</u>	<u>Description</u>
1	Record Number	1003	1 – 4	The sequential number of this record within this data file plus 1000. Format: Right justified and space filled.
2	COSA	"LBIL"	6 – 11	The COSA code for the filing entity. Format: Include quotation marks.
3	Record Type	"K1"	13 – 16	Always contains the letter K capitalized and the number 1 with no space between them. Format: Include quotation marks.
4	Row Number	0240.0	18 – 23	Row numbers as identified on the Report Definition. Valid range: 0110.0 to 0910.0 Format: Right justified and space filled, with one decimal place. Since all applicable row numbers are integers, append .0 to each row number.
5	Column (b) data	"IL"	25 – 28	This field contains the data corresponding to column (b) as shown on the Form Section of the Report Definition. See the State Row Numbers and Codes Reference Table for a list of state codes. Format: Left justified and space filled. Include quotation marks.
6	Column (c) data	5432	30 – 36	This field contains the data corresponding to column (c) as shown on the Form Section of the Report Definition. DO NOT override designated N/As. Format: Right justified and space filled. Enter -99999 in all integer fields designated by N/A. Enter -88888 in integer fields on the "public version" diskette to indicate that confidential treatment has been requested. Enter -77777 in integer fields where data are "Irretrievable." All other fields must be populated. If there are no data applicable to an open field, enter zero.

RECORD TYPE K1 - OUTSIDE PLANT STATISTICS-CABLE AND WIRE FACILITIES DATA RECORD  
(continued)

7	Column (d) data	5432	38 – 44	Column (d) data Format: See Field 6 above.
8	Column (e) data	1358	46 – 52	Column (e) data Format: See Field 6 above.
9	Column (f) data	1358	54 – 60	Column (f) data Format: See Field 6 above.
10	Column (g) data	2716	62 – 68	Column (g) data Format: See Field 6 above.
11	Column (h) data	1358	70 – 76	Column (h) data Format: See Field 6 above.
12	Column (i) data	5432	78 – 84	Column (i) data Format: See Field 6 above.
13	Column (j) data	5432	86 – 92	Column (j) data Format: See Field 6 above.
14	Column (k) data	2716	94 – 100	Column (k) data Format: See Field 6 above.
15	Column (l) data	5432	102 – 108	Column (l) data Format: See Field 6 above.
16	Column (m) data	1358	110 – 116	Column (m) data Format: See Field 6 above.
17	Column (n) data	1358	118 – 124	Column (n) data Format: See Field 6 above.
18	Column (o) data	2716	126 – 132	Column (o) data Format: See Field 6 above.
19	Column (p) data	20370	134 – 140	Column (p) data Format: See Field 6 above.
20	Column (q) data	16296	142 – 148	Column (q) data Format: See Field 6 above.
21	Column (r) data	25432	150 – 156	Column (r) data Format: See Field 6 above.
22	Column (s) data	32716	158 – 164	Column (s) data Format: See Field 6 above.

RECORD TYPE K1 - OUTSIDE PLANT STATISTICS-CABLE AND WIRE FACILITIES DATA RECORD

(continued)

23	Column (t) data	765432	166 – 175	This field contains the data corresponding to column (t) as shown on the Form Section of the Report Definition. DO NOT override designated N/As. Format: Right justified and space filled. Enter –99999 in all integer fields designated by N/A. Enter –88888 in integer fields on the “public version” diskette to indicate that confidential treatment has been requested. Enter –77777 in integer fields where data are “Irretrievable.” All other fields must be populated. If there are no data applicable to an open field, enter zero.
24	Column (u) data	1358	177 – 186	Column (u) data Format: See Field 23 above.
25	Column (v) data	1358	188 – 197	Column (v) data Format: See Field 23 above.
26	Column (w) data	2716	199 – 208	Column (w) data Format: See Field 23 above.
27	Column (x) data	91358	210 – 219	Column (x) data Format: See Field 23 above.

RECORD TYPE K1 - OUTSIDE PLANT STATISTICS-CABLE AND WIRE FACILITIES DATA RECORD  
(continued)

28 End of Record Code "XQ" 221 – 224 Always contains the letters XQ capitalized with no space between them to indicate the end of the record.  
Format: Include quotation marks.

Note: All fields are separated by commas.

Footnote records are needed if any data for the current period differ materially from those for the previous period and the difference is not self-explanatory but was caused by unusual circumstances. Also, if the carrier does not follow the procedures described in the row/column instructions in the Report Definition, footnote records are needed.

As specified in the appropriate section of the instructions for filing this report, certain items require accompanying mandatory footnotes and must be entered in the Footnote Text record(s).

---

1	2	3	4	5	6	7	8	9	10
0	1	2	3	4	5	6	7	8	9

Sample records:

1003,"LBIL", "K1", 0240.0, "IL",	5432,	5432,	1358,	1358,	2716,	1358,	5432,	5432,	2716,
1004,"LBIL", "K1", 0910.0, "TO",	5432,	5432,	1358,	1358,	2716,	1358,	5432,	5432,	2716,

---

1	1	1	1	1	1	1	1	1	1
0	1	2	3	4	5	6	7	8	9

Continuation of sample records:

5432,	1358,	1358,	2716,	20370,	16296,	25432,	32716,	765432,	1358,	1358,
5432,	1358,	1358,	2716,	20370,	16296,	25432,	32716,	765432,	1358,	1358,

---

1	2	2
9	0	1

Continuation of sample records:

2716,	91348,"XQ"
2716,	91348,"XQ"

RECORD TYPE S1 - OUTSIDE PLANT STATISTICS-OTHER DATA RECORD

<u>Field</u>	<u>Item</u>	<u>Example</u>	<u>Position</u>	<u>Description</u>
1	Record Number	1005	1 – 4	The sequential number of this record within this data file plus 1000. Format: Right justified and space filled.
2	COSA	"LBIL"	6 – 11	The COSA code for the filing entity. Format: Include quotation marks.
3	Record Type	"S1"	13 – 16	Always contains the letter S capitalized and the number 1 with no space between them. Format: Include quotation marks.
4	Row Number	0240.0	18 – 23	Row numbers as identified on the Report Definition. Valid range: 0110.0 to 0910.0 Format: Right justified and space filled, with one decimal place. Since all applicable row numbers are integers, append .0 to each row number.
5	Column (bb) data	"IL"	25 – 28	This field contains the data corresponding to column (bb) as shown on the Form Section of the Report Definition. See the State Row Numbers and Codes Reference Table for a list of state codes. Format: Left justified and space filled. Include quotation marks.
6	Column (bc) data	5432	30 – 39	This field contains the data corresponding to column (bc) as shown on the Form Section of the Report Definition. DO NOT override designated N/As. Format: Right justified and space filled. Enter -99999 in all integer fields designated by N/A. Enter -88888 in integer fields on the "public version" diskette to indicate that confidential treatment has been requested. Enter -77777 in integer fields where data are "Irretrievable." All other fields must be populated. If there are no data applicable to an open field, enter zero.

RECORD TYPE S1 - OUTSIDE PLANT STATISTICS-OTHER DATA RECORD (continued)

7	Column (bd) data	35432	41 – 50	Column (bd) data Format: See Field 6 above.
8	Column (be) data	1358	52 – 61	Column (be) data Format: See Field 6 above.
9	Column (bf) data	101358	63 – 72	Column (bf) data Format: See Field 6 above.
10	Column (bg) data	72816	74 – 83	Column (bg) data Format: See Field 6 above.
11	Column (bh) data	601358	85 – 94	Column (bh) data Format: See Field 6 above.
12	Column (bi) data	405432	96 – 105	Column (bi) data Format: See Field 6 above.
13	Column (bj) data	5432	107 – 116	Column (bj) data Format: See Field 6 above.
14	Column (bk) data	602716	118 – 127	Column (bk) data Format: See Field 6 above.
15	Column (bl) data	405432	129 – 138	Column (bl) data Format: See Field 6 above.
16	Column (bm) data	1358	140 – 149	Column (bm) data Format: See Field 6 above.



RECORD TYPE S1 - OUTSIDE PLANT STATISTICS-OTHER DATA RECORD (continued)

17 End of Record Code "XQ" 151 – 154 Always contains the letters XQ capitalized with no space between them to indicate the end of the record.  
 Format: Include quotation marks.

Note: All fields are separated by commas.

Footnote records are needed if any data for the current period differ materially from those for the previous period and the difference is not self-explanatory but was caused by unusual circumstances. Also, if the carrier does not follow the procedures described in the row/column instructions in the Report Definition, footnote records are needed.

As specified in the appropriate section of the instructions for filing this report, certain items require accompanying mandatory footnotes and must be entered in the Footnote Text record(s).

---

1	2	3	4	5	6	7	8	9
12345678901234567890123456789012345678901234567890123456789012345678901234567890123456789012345								

Sample records:  
 1005,"LBIL","S1",0240.0,"IL", 5432, 35432, 1358, 101358, 72816, 601358,  
 1006,"LBIL","S1",0910.0,"TO", 5432, 35432, 1358, 101358, 72816, 601358,

---

1	1	1	1	1	1
9 0	1	2	3	4	5
67890123456789012345678901234567890123456789012345678901234					

Continuation of sample records:  
 405432, 5432, 602716, 405432, 1358,"XQ"  
 405432, 5432, 602716, 405432, 1358,"XQ"

RECORD TYPE N1 - SWITCHED ACCESS LINES IN SERVICE BY TECHNOLOGY DATA RECORD

<u>Field</u>	<u>Item</u>	<u>Example</u>	<u>Position</u>	<u>Description</u>
1	Record Number	1007	1 – 4	The sequential number of this record within this data file plus 1000. Format: Right justified and space filled.
2	COSA	"LBIL"	6 – 11	The COSA code for the filing entity. Format: Include quotation marks.
3	Record Type	"N1"	13 – 16	Always contains the letter N capitalized and the number 1 with no space between them. Format: Include quotation marks.
4	Row Number	0240.0	18 – 23	Row numbers as identified on the Report Definition. Valid range: 0110.0 to 0910.0 Format: Right justified and space filled, with one decimal place. Since all applicable row numbers are integers, append .0 to each row number.
5	Column (cb) data	"IL"	25 – 28	This field contains the data corresponding to column (cb) as shown on the Form Section of the Report Definition. See the State Row Numbers and Codes Reference Table for a list of state codes. Format: Left justified and space filled. Include quotation marks.
6	Column (cc) data	5432	30 – 38	This field contains the data corresponding to column (cc) as shown on the Form Section of the Report Definition. DO NOT override designated N/As. Format: Right justified and space filled. Enter -99999 in all integer fields designated by N/A. Enter -88888 in integer fields on the "public version" diskette to indicate that confidential treatment has been requested. Enter -77777 in integer fields where data are "Irretrievable." All other fields must be populated. If there are no data applicable to an open field, enter zero.

RECORD TYPE N1 - SWITCHED ACCESS LINES IN SERVICE BY TECHNOLOGY DATA RECORD

(continued)

7	Column (cd) data	5432	40 – 48	Column (cd) data Format: See Field 6 above.
8	Column (ce) data	1358	50 – 58	Column (ce) data Format: See Field 6 above.
9	Column (cf) data	1358	60 – 68	Column (cf) data Format: See Field 6 above.
10	Column (cg) data	2716	70 – 78	Column (cg) data Format: See Field 6 above.
11	Column (ch) data	1358	80 – 88	Column (ch) data Format: See Field 6 above.
12	Column (ci) data	5432	90 – 98	Column (ci) data Format: See Field 6 above.
13	Column (cj) data	23086	100 – 108	Column (cj) data Format: See Field 6 above.
14	Column (ck) data	2716	110 – 118	Column (ck) data Format: See Field 6 above.
15	Column (cl) data	5432	120 – 128	Column (cl) data Format: See Field 6 above.
16	Column (cm) data	8148	130 – 138	Column (cm) data Format: See Field 6 above.
17	Column (cn) data	1358	140 – 148	Column (cn) data Format: See Field 6 above.
18	Column (co) data	1358	150 – 158	Column (co) data Format: See Field 6 above.



RECORD TYPE A1 - ACCESS LINES IN SERVICE BY CUSTOMER DATA RECORD

<u>Field</u>	<u>Item</u>	<u>Example</u>	<u>Position</u>	<u>Description</u>
1	Record Number	1009	1 – 4	The sequential number of this record within this data file plus 1000. Format: Right justified and space filled.
2	COSA	"LBIL"	6 – 11	The COSA code for the filing entity. Format: Include quotation marks.
3	Record Type	"A1"	13 – 16	Always contains the letter A capitalized and the number 1 with no space between them. Format: Include quotation marks.
4	Row Number	0240.0	18 – 23	Row numbers as identified on the Report Definition. Valid range: 0110.0 to 0910.0 Format: Right justified and space filled, with one decimal place. Since all applicable row numbers are integers, append .0 to each row number.
5	Column (db) data	"IL"	25 – 28	This field contains the data corresponding to column (db) as shown on the Form Section of the Report Definition. See the State Row Numbers and Codes Reference Table for a list of state codes. Format: Left justified and space filled. Include quotation marks.
6	Column (dc) data	1358	30 – 38	This field contains the data corresponding to column (dc) as shown on the Form Section of the Report Definition. DO NOT override designated N/As. Format: Right justified and space filled. Enter –99999 in all integer fields designated by N/A. Enter –88888 in integer fields on the “public version” diskette to indicate that confidential treatment has been requested. Enter –77777 in integer fields where data are “Irretrievable.” All other fields must be populated. If there are no data applicable to an open field, enter zero.

RECORD TYPE A1 - ACCESS LINES IN SERVICE BY CUSTOMER DATA RECORD (continued)

7	Column (dd) data	5432	40 – 48	Column (dd) data Format: See Field 6 above.
8	Column (de) data	4074	50 – 58	Column (de) data Format: See Field 6 above.
9	Column (df) data	1358	60 – 68	Column (df) data Format: See Field 6 above.
10	Column (dg) data	8148	70 – 78	Column (dg) data Format: See Field 6 above.
11	Column (dh) data	1358	80 – 88	Column (dh) data Format: See Field 6 above.
12	Column (di) data	1358	90 – 98	Column (di) data Format: See Field 6 above.
13	Column (dj) data	23086	100 – 108	Column (dj) data Format: See Field 6 above.
14	Column (dk) data	2716	110 – 118	Column (dk) data Format: See Field 6 above.
15	Column (dl) data	5472	120 – 128	Column (dl) data Format: See Field 6 above.
16	Column (dm) data	31274	130 – 138	Column (dm) data Format: See Field 6 above.

RECORD TYPE A1 - ACCESS LINES IN SERVICE BY CUSTOMER DATA RECORD (continued)

19 End of Record Code "XQ" 140 – 143 Always contains the letters XQ capitalized with no space between them to indicate the end of the record.  
Format: Include quotation marks.

Note: All fields are separated by commas.

Footnote records are needed if any data for the current period differ materially from those for the previous period and the difference is not self-explanatory but was caused by unusual circumstances. Also, if the carrier does not follow the procedures described in the row/column instructions in the Report Definition, footnote records are needed.

As specified in the appropriate section of the instructions for filing this report, certain items require accompanying mandatory footnotes and must be entered in the Footnote Text record(s).

1	2	3	4	5	6	7	8	9
1234567890123456789012345678901234567890123456789012345678901234567890123456789								
Sample records:								
1009,"LBIL","A1",0240.0,"IL",			1358,	5432,	4074,	1358,	8148,	1358, 1358,
1010,"LBIL","A1",0910.0,"TO",			1358,	5432,	4074,	1358,	8148,	1358, 1358,

1	1	1	1	1
0	1	2	3	4
<u>01234567890123456789012345678901234567890123</u>				
Continuation of sample records:				
23086,	2716,	5472,	31274,"XQ"	
23086,	2716,	5472,	31274,"XQ"	

RECORD TYPE P1 - TELEPHONE CALLS DATA RECORD

<u>Field</u>	<u>Item</u>	<u>Example</u>	<u>Position</u>	<u>Description</u>
1	Record Number	1011	1 – 4	The sequential number of this record within this data file plus 1000. Format: Right justified and space filled.
2	COSA	"LBIL"	6 – 11	The COSA code for the filing entity. Format: Include quotation marks.
3	Record Type	"P1"	13 – 16	Always contains the letter P capitalized and the number 1 with no space between them. Format: Include quotation marks.
4	Row Number	0240.0	18 – 23	Row numbers as identified on the Report Definition. Valid range: 0110.0 to 0910.0 Format: Right justified and space filled, with one decimal place. Since all applicable row numbers are integers, append .0 to each row number.
5	Column (eb) data	"IL"	25 – 28	This field contains the data corresponding to column (eb) as shown on the Form Section of the Report Definition. See the State Row Numbers and Codes Reference Table for a list of state codes. Format: Left justified and space filled. Include quotation marks.
6	Column (ec) data	5432	30 – 38	This field contains the data corresponding to column (ec) as shown on the Form Section of the Report Definition. DO NOT override designated N/As. Format: Right justified and space filled. Enter -99999 in all integer fields designated by N/A. Enter -88888 in integer fields on the "public version" diskette to indicate that confidential treatment has been requested. Enter -77777 in integer fields where data are "Irretrievable." All other fields must be populated. If there are no data applicable to an open field, enter zero.
7	Column (ed) data	5432	40 – 48	Column (ed) data Format: See Field 6 above.
8	Column (ee) data	1358	50 – 58	Column (ee) data Format: See Field 6 above.





RECORD TYPE C3 - CONFIDENTIAL TREATMENT RECORD

<u>Field</u>	<u>Item</u>	<u>Example</u>	<u>Position</u>	<u>Description</u>
1	Record Number (for <u>this</u> record)	1013	1 – 4	The sequential number of <u>this</u> record within this data file plus 1000. Format: Right justified and space filled.
2	COSA	"LBIL"	6 – 11	The COSA code for the filing entity. Format: Include quotation marks.
3	Record Type	"C3"	13 – 16	Always contains the letter C capitalized and the number 3 with no space between them. Format: Include quotation marks.
4	Record Number (for the confidential data)	1003	18 – 21	This field contains the record number of the record which contains the data for which the carrier is seeking confidential treatment. If the request is for the entire column(s) or the entire submission, use 9999. Format: Right justified and space filled.
5	Table Number	"I.A "	23 – 28	This field contains the table number (Roman numerals) of the table in which the confidential data appear. If the request is for the entire submission, enter "ZZZZ." Format: Include quotation marks. Left justified and space filled.
6	Row Number	0240.0	30 – 35	This field contains the row number of the row which contains the confidential data as identified in the Report Definition. If the request is for the entire column(s), an entire table or the entire submission, enter 9999.0. Format: Right justified and space filled, with one decimal place. Since all applicable row numbers are integers, append .0 to each row number.
7	Column Label	"C "	37 – 40	This field contains the column letter of the confidential data as identified in the Report Definition. If the request is for an entire row, an entire table, or the entire submission, enter "ZZ." If the request is for more than one column but less than the entire row, then populate this field and as many as needed of fields 8 through 26. Format: Include quotation marks. Left justified and space filled.



RECORD TYPE F3 - FOOTNOTE TEXT RECORD

<u>Field</u>	<u>Item</u>	<u>Example</u>	<u>Position</u>	<u>Description</u>
1	Record Number (for <u>this</u> record)	1017	1 – 4	The sequential number of <u>this</u> record within this data file plus 1000. Format: Right justified and space filled.
2	COSA	"LBIL"	6 – 11	The COSA code for the filing entity. Format: Include quotation marks.
3	Record Type	"F3"	13 – 16	Always contains the letter F capitalized and the number 3 with no space between them. Format: Include quotation marks.
4	Record Number (for the footnoted data)	1003	18 – 21	This field contains the record number of the record which contains the footnoted data. If the footnote pertains to the entire column(s), an entire table, or the entire submission, use 9999. Format: Right justified and space filled.
5	Table Number	"I.A "	23 – 28	This field contains the table number (Roman numerals) of the table in which the footnoted data appear. If the footnote pertains to an entire table, use "ZZZZ". Format: Include quotation marks. Left justified and space filled.
6	Row Number	0240.0	30 – 35	This field contains the row number of the row which contains the footnoted data as identified in the Report Definition. If the footnote pertains to the entire column(s), an entire table, or the entire submission, enter 9999.0. Format: Right justified and space filled, with one decimal place. Since all applicable row numbers are integers, append .0 to each row number.
7	Column Label	"C "	37 – 40	This field contains the column letter(s) of the footnoted data as identified in the Report Definition. If the footnote pertains to an entire row, an entire table, or the entire submission, enter "ZZ". Format: Include quotation marks. Left justified and space filled.
8	Footnote Number	1	42 – 44	The number of this particular footnote. Valid range: 1 to 999. Format: Right justified and space filled.



RECORD TYPE E4 - ERRATUM RECORD

<u>Field</u>	<u>Item</u>	<u>Example</u>	<u>Position</u>	<u>Description</u>
1	Record Number (for <u>this</u> record)	1023	1 – 4	The sequential number of <u>this</u> record within this data file plus 1000. Format: Right justified and space filled.
2	COSA	"LBIL"	6 – 11	The COSA code for the filing entity. Format: Include quotation marks.
3	Record Type	"E4"	13 – 16	Always contains the letter E capitalized and the number 4 with no space between them. Format: Include quotation marks.
4	Record Number (for the corrected data)	1003	18 – 21	This field contains the record number of the record which contains the data which were corrected in this submission. If the entire column(s), an entire table, or the entire submission was corrected, use 9999. Format: Right justified and space filled.
5	Table Number	"I.A "	23 – 28	This field contains the table number (Roman numerals) of the table in which the corrected data appear. If an entire table or submission was corrected, use "ZZZZ". Format: Include quotation marks. Left justified and space filled.
6	Row Number	0240.0	30 – 35	This field contains the row number of the row which contains the corrected data as identified in the Report Definition. If the entire column(s), an entire table, or the entire submission was corrected, enter 9999.0. Format: Right justified and space filled, with one decimal place. Since all applicable row numbers are integers, append .0 to each row number.
7	Column Label	"C "	37 – 40	This field contains the column letter of the corrected data as identified in the Report Definition. If an entire row, an entire table, or the entire submission was corrected, enter "ZZ". If more than one column but less than the entire row was corrected, then populate this field and as many as needed of fields 8 through 26. Format: Include quotation marks. Left justified and space filled.

RECORD TYPE E4 - ERRATUM RECORD (continued)

<u>Field</u>	<u>Item</u>	<u>Example</u>	<u>Position</u>	<u>Description</u>
8	Second Column Label	"D "	42 – 45	
9	Third Column Label	" "	47 – 50	Fields 8 thru 26 are similar to Field 7 and are used when the correction is in the same row and more than one column.
.				
.				
.				Otherwise, enter “ ”.
26	Twentieth Col. Label	" "	132 – 135	
27	Footnote Number	1	137 – 139	This field contains the footnote number that explains the correction. If there is no footnote, use a zero. Format: Right justified and space filled.
28	End of Record Code	"XQ"	141 – 144	Always contains the letters XQ capitalized with no space between them to indicate the end of the record. Format: Include quotation marks.

Note: All fields are separated by commas.

When an errata occurs, carriers must use higher submission numbers and a new data entry date to denote a new submission. If there is a change in either the automated or paper report, the carrier must re-submit both. The automated report and the paper report submission numbers must be the same.

If the data items being corrected impact other data items in the report, then those items must also be corrected and referenced. Erratum references should reflect only those items corrected in the new submission. References from prior submissions must not be included in the new submission.

In addition to including these references in the erratum record(s) of the automated report, carriers must include a brief statement indicating the reason for the errata in the transmittal letter.

---

1            2            3            4            5            6            7            8            9

12345678901234567890123456789012345678901234567890123456789012345678901234567890123456

Sample records:  
 1023,"LBIL","E4",1003,"I.A ",0240.0,"C ","D "," " ," " ," " ," " ," " ," " ," " ," " ," " ,"  
 1024,"LBIL","E4",1005,"I.B ",0240.0,"ZZ"," " ," " ," " ," " ," " ," " ," " ," " ," " ," " ,"  
 1025,"LBIL","E4",9999,"II ",9999.0,"CI"," " ," " ," " ," " ," " ," " ," " ," " ," " ," " ,"

---

1	1	1	1	1
0	1	2	3	4

---

7890123456789012345678901234567890123456789012345678901234

Continuation of sample records:  
 " "," " ," " ," " ," " ," " ," " ," " ," 1,"XQ"  
 " "," " ," " ," " ," " ," " ," " ," " ," " ," 2,"XQ"  
 " "," " ," " ," " ," " ," " ," " ," " ," " ," 3,"XQ"

RECORD TYPE T1 - TRAILER RECORD

<u>Field</u>	<u>Item</u>	<u>Example</u>	<u>Position</u>	<u>Description</u>
1	Record Number	1025	1 – 4	The sequential number of this record within this data file plus 1000. Format: Right justified and space filled.
2	COSA	"LBIL"	6 – 11	The COSA code for the filing entity. Format: Include quotation marks.
3	Record Type	"T1"	13 – 16	Always contains the letter T capitalized and the number 1 with no space between them. Format: Include quotation marks.
4	Contact Person	"John Doe " (spaces until pos. 58)	18 – 59	The name of the person to contact if there are questions about the report. Format: Include quotation marks.
5	Telephone #	"(202) 555-1212 x123 "	61 – 82	The Contact Person's telephone number. Format: Include quotation marks.
6	End of Record Code	"XQ"	84 – 87	Always contains the letters XQ capitalized with no space between them to indicate the end of the record. Format: Include quotation marks.

Note: All fields are separated by commas.

---

1	2	3	4	5	6	7	8
---	---	---	---	---	---	---	---

---

123456789012345678901234567890123456789012345678901234567890123456789012345678901234567

Sample record:

1023, "LBIL", "T1", "John Doe", "(202) 555-1212 x123 ", "XQ"



## A. Introduction

This document contains the page layout and detailed specifications for the paper report to be filed as FCC Report 43-08, the ARMIS Operating Data Report.

## B. General Instructions

1. See sections B and C on pages 1 and 2 of the Reporting Procedures for a discussion of the Confidential Version, the Public Version, and the Unrestricted Version of this report and for a definition and discussion of data items that are “Not Available,” “Withheld” or “Irretrievable.”
2. The paper report must be printed on 8 1/2 inch by 11-inch paper. For ease of preparation, an original may be produced on larger paper and reduced to this size for submission. Copies filed must be legible and permanent, in black ink. The report may be printed in portrait mode (8 1/2 inches across the top of the page) or landscape mode (11 inches across the top of the page). In portrait mode, the printing should not be smaller than 17 characters per inch and 8 lines per inch; in landscape mode, the printing should not be smaller than 15 characters per inch and 10 lines per inch.

## C. Data Entry Conventions

1. If an entry is to be a subtraction, indicate so by placing a minus sign in the column immediately preceding the numeric data, e.g., use -4, **NOT** - 4 or (4).
2. Items that need not be reported because they do not apply are designated by N/A. If a “Public Version” report is filed, enter “W/H” in any numeric data field for which data is “Withheld”. If a filing carrier has a waiver applicable to a certain field, treat the data in that field as “Irretrievable” and enter “I/T”. Carriers must footnote the reason for that entry (including a cite to the waiver and a note as to its duration). **DO NOT** override N/As. Filing carriers are NOT permitted to enter additional designators. All other fields must be populated.
3. If a reporting carrier wishes to apply data to a field containing an N/A, the carrier must enter, as a footnote to the field, the amount(s) and an explanation. All other fields must be populated. If there are no data applicable to an open field, enter zero.

## D. Rounding Conventions

1. To convert miles to kilometers, compute total miles, multiply by 1.6093, and then round to the nearest whole number.

2. Internal calculations should retain, where applicable, at least 4 decimal places of accuracy; compute totals and then round to the nearest whole number before applying weighting factors.
3. Round final results (in kilometers) to the nearest whole number, but report any non-zero entry that is less than 1 kilometer as 1 kilometer.
4. Round the number of equivalent telephone poles to the nearest whole number.
5. Round telephone calls and minutes to the nearest thousand, but report any non-zero entry that is less than 1 (thousand) as 1 (thousand).
6. Report all other amounts in actual units.

E. Footnotes

1. If any data for the current period differs materially from those for the previous period and the difference is not self-explanatory but was caused by unusual circumstances, then include detailed footnote text to explain the specific circumstances. Certain items require accompanying footnotes and those items are specified in the appropriate section of the instructions for filing the 43-08. Such footnotes are mandatory and must be entered in the Footnote Table.
2. If the reporting carrier does not follow the procedures described in the row and column instructions of the Report Definition, it must explain any deviations from those procedures in an explanatory footnote. Such footnotes must provide detailed explanations of the procedures actually used by the carrier and its specific reasons for deviating from the procedures prescribed by the Commission Rules. This provision should not be interpreted to mean that deviations from the prescribed rules will automatically be approved by the Commission. See Section E of the Reporting Procedures for examples of valid footnotes.
3. Footnote entries must provide detailed explanations for only those items reported in the current submission. Footnotes from prior submissions should be included only if they remain applicable. In other words, when a resubmission nullifies an existing footnote, remove the footnote.
4. Footnotes must be included in the footnote table, not on individual table pages.

F. Errata

1. Carriers are under a legal obligation to correct any erroneous data discovered in FCC Report 43-08. See Section B of the Reporting Procedures for use of submission numbers when an erratum occurs.

2. Submissions containing corrected data must include references to indicate which data items were corrected since the previous submission. If the data items being corrected impact other data items in the report, then those items must also be corrected and referenced. Erratum references should reflect only those items corrected in the new submission. References from prior submissions must not be included in the new submission.
3. These references must be included in the Erratum Table. In addition, carriers must include in the transmittal letter, a brief statement indicating the reason for the errata.

G. Data Validation Programs

1. Each reporting carrier must validate its data by using the most recent edit check program(s), provided by the Commission, for the reporting year. When an error is detected, the carrier must correct the error prior to submitting the report to the Commission. Once the carrier corrects its data so that the edit check program identifies no errors, the carrier should submit the ARMIS report along with a copy of the edit check printout to the Commission verifying that the program did not identify any errors.

H. Page Layouts

1. The page layout for this report is illustrated in the Form Section of the Report Definition.
2. The following note must appear at the bottom of all pages, where applicable. THE COMPANY HAS REQUESTED CONFIDENTIAL TREATMENT FOR SOME DATA ON THIS PAGE. SEE THE CONFIDENTIAL TREATMENT TABLE FOR SPECIFIC INFORMATION.
3. The Paper Report will consist of the following pages:

The Cover Page

Illustrated in  
Paper Report  
Specs. on Page

36

<u>Table</u>		<u>Illustrated in Report Definition Form on Page</u>
Table I.A	Outside Plant Statistics - Cable & Wire Facilities	5 – 7
Table I.B	Outside Plant Statistics - Other	8 & 9
Table II	Switched Access Lines In Service By Technology	10 & 11
Table III	Access Lines In Service By Customer	12 & 13
Table IV	Telephone Calls	14
		<u>Illustrated in Paper Report Specs. on Page</u>
	The Confidential Treatment Table (if reporting confidential data, as many pages as needed)	37
	The Footnote Table (at least one page and as many pages as needed)	38
	The Erratum Table (for submission number 2 or higher, as many pages as needed)	39
		<u>Illustrated in Report Definition Form on Page</u>
	The Certification Page	33

FCC Report 43-08  
xxxxxxxxxx Version  
Submission x  
COSA: XXXX

Approved by OMB  
3060-0496  
Edition Date: 12/1999  
Estimated Avg. Burden Per Response: 160 Hrs

**FEDERAL COMMUNICATIONS COMMISSION  
WASHINGTON, D.C. 20554**

**ARMIS OPERATING DATA REPORT**

**For Year End \_\_\_**

**Account Filing Level (Class A or Class B):**

**Name of Company:**

**Address of Company:**

FCC Report 43-08, the ARMIS Operating Data Report, is prescribed for each local exchange carrier (LEC) with annual operating revenues for the preceding year equal to or above the indexed revenue threshold. This report collects annual company level statistical data. The Operating Data Report specifies information requirements in a consistent format and is essential to the FCC to monitor network growth, usage, and reliability. Response is mandatory.

Public reporting burden for this collection of information is estimated to average 160 hours per response, including the time for reviewing instructions, searching existing data sources, gathering and maintaining the data needed, and completing and reviewing the collection of information. Send comments regarding this burden estimate or any other aspect of this collection of information, including suggestions for reducing the burden, to the Federal Communications Commission, Office of Managing Director, Washington, D.C. 20554.

An agency may not conduct or sponsor and a person is not required to respond to a collection of information unless it displays a currently valid control number.

FCC REPORT 43-08  
ARMIS OPERATING DATA REPORT

Approved by OMB  
3060-0496  
Edition Date: 12/2000

COMPANY: xxxxxxxxxxxxxxxxxxxxxxxxxxxxxxxxxxxx  
STUDY AREA: xxxxxxxxxxxxxxxxxxxxxxxx  
PERIOD: From mmm yyyy to mmm yyyy  
COSA: xxxx

xxxxxxxxxxxxx VERSION  
SUBMISSION x  
CONF. TREATMENT TABLE  
PAGE 1 OF x

CONFIDENTIAL TREATMENT TABLE

Table	Row	Column(s)
-----	-----	-----
(a)	(b)	(c)
sample entries:		
I.A	240	C, R
I.B	240	ALL
II	ALL	CN

THE COMPANY HAS REQUESTED CONFIDENTIAL TREATMENT FOR THE ABOVE DATA IN THIS REPORT.

FCC REPORT 43-08  
 ARMIS OPERATING DATA REPORT

Approved by OMB  
 3060-0496  
 Ediont Date: 12/2000

COMPANY: xxxxxxxxxxxxxxxxxxxxxxxxxxxxxxxxxxxx  
 STUDY AREA: xxxxxxxxxxxxxxxxxxxxxxxx  
 PERIOD: From mmm yyyy to mmm yyyy  
 COSA: xxxx

xxxxxxxxxxxxx VERSION  
 SUBMISSION x  
 FOOTNOTE TABLE  
 PAGE 1 OF x

FOOTNOTE TABLE

Table	Row	Col	FN#	Footnote
----	---	---	---	-----
(a)	(b)	(c)	(d)	(e)

sample entries:

I.A	240	C	1	Footnote text for footnote 1 continuation text for footnote 1 last line of footnote 1
I.A	240	D	2	Footnote 2 pertains to column D of Table I.A row 240
I.B	240	ALL	3	Footnote 3 pertains to all columns of Table I.B row 240
II	ALL	CI	4	Footnote 4 pertains to all rows of Table II column CI

REMINDER:

As specified in the appropriate section of the instructions for filing this report, certain items require accompanying mandatory footnotes and must be entered in the Footnote Text record(s).

Footnote records are needed if any data for the current period differ materially from those for the previous period and the difference is not self-explanatory but was caused by unusual circumstances. Also, if the carrier does not follow the procedures described in the row/column instructions in the Report Definition, footnote records are needed.

Footnote entries must provide detailed explanations for only those items reported in the current submission. Footnotes from prior submissions should be included only if they remain applicable. In other words, when a resubmission nullifies an existing footnote, remove the footnote.

FCC REPORT 43-08  
 ARMIS OPERATING DATA REPORT

Approved by OMB  
 3060-0496  
 Edition Date: 12/2000

COMPANY: xxxxxxxxxxxxxxxxxxxxxxxxxxxxxxxxxxxx  
 STUDY AREA: xxxxxxxxxxxxxxxxxxxxxxxx  
 PERIOD: From mmm yyyy to mmm yyyy  
 COSA: xxxx

xxxxxxxxxxxxx VERSION  
 SUBMISSION x  
 ERRATUM TABLE  
 PAGE 1 OF x

ERRATUM TABLE

Table	Row	Column(s)	FN#
-----	-----	-----	---
(a)	(b)	(c)	(d)
sample entries:			
I.A	240	C , D	1
I.B	240	ALL	3
II	ALL	CI	4

THE ABOVE DATA HAVE BEEN CORRECTED IN THIS SUBMISSION.  
 SEE THE FOOTNOTE TABLE FOR FOOTNOTES WHERE APPLICABLE.

REMINDER:

When an errata occurs, carriers must use higher submission numbers and a new data entry date to denote a new submission. If there is a change in either the automated or paper report, the carrier must re-submit both. The automated report and the paper report submission numbers must be the same.

If the data items being corrected impact other data items in the report, then those items must also be corrected and referenced. Erratum references should reflect only those items corrected in the new submission. References from prior submissions must not be included in the new submission.

In addition to including these references in the erratum record(s) of the automated report, carriers must include a brief statement indicating the reason for the errata in the transmittal letter.